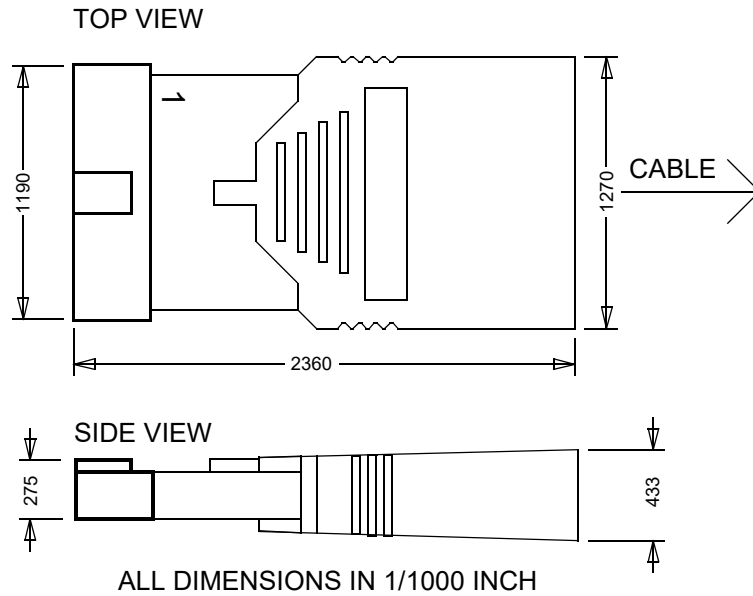


SI-7844

LA-7844 Debugger for Cortex-M (ARMv6/7/8 32-bit)



SI-7844

Technical Information