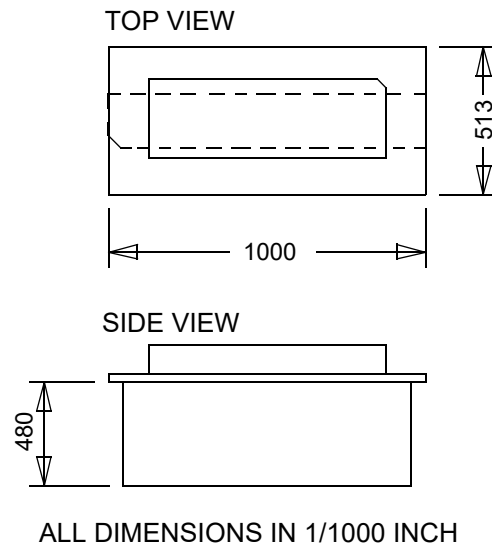


SI-3817

LA-3817 Converter MIPI-60 to Mictor-38 (ETMv3 Pinout)



SI-3817

Technical Information

DIMENSION