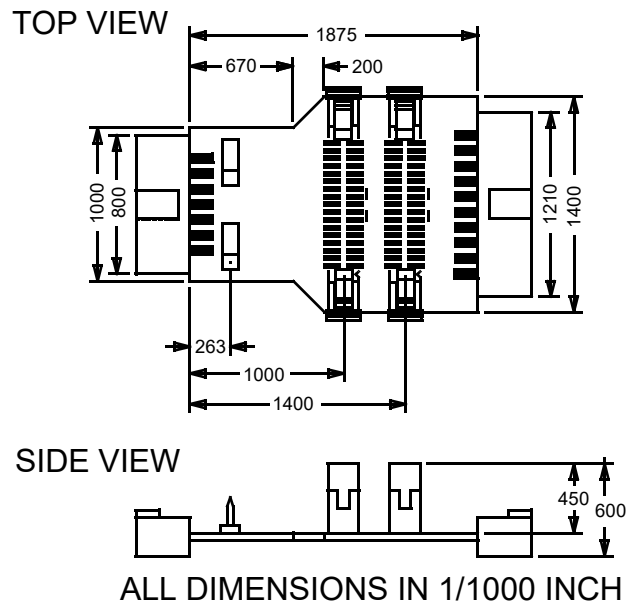


SI-3771

LA-3771 Converter MIPI-34 to IDC20A/TI-14



SI-3771

Technical Information