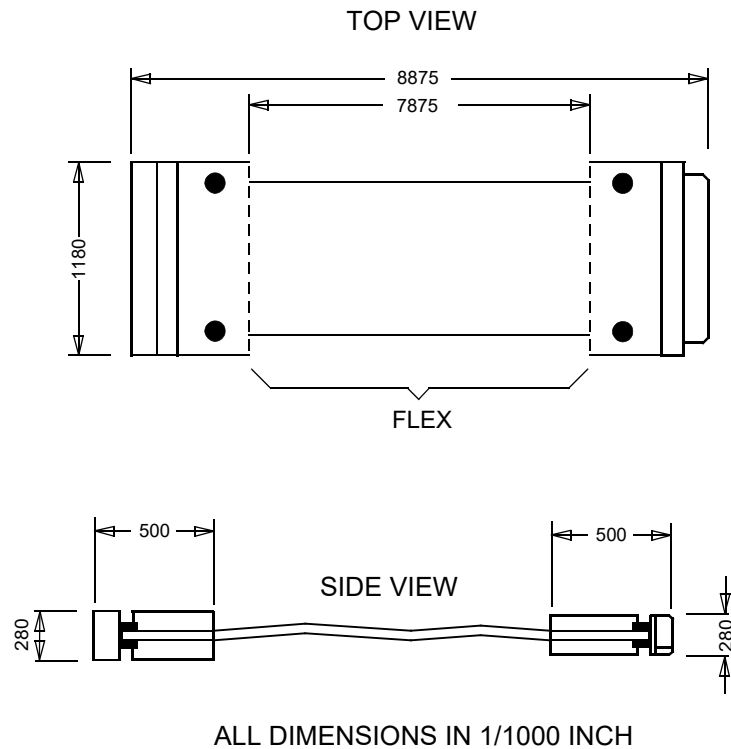


SI-1248

LA-1248 Flex Ext. for SAM 60 pin QTH-QSH series 08.00



SI-1248

Technical Information