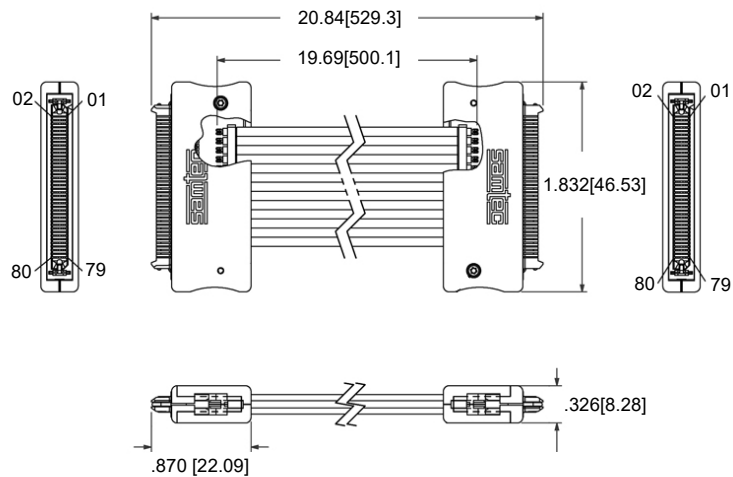


# SI-1239

LA-1239 Flex Ext. for SAMTEC 80 pin ERM8-ERM8 500mm A



## SI-1239

### Technical Information

# DIMENSION