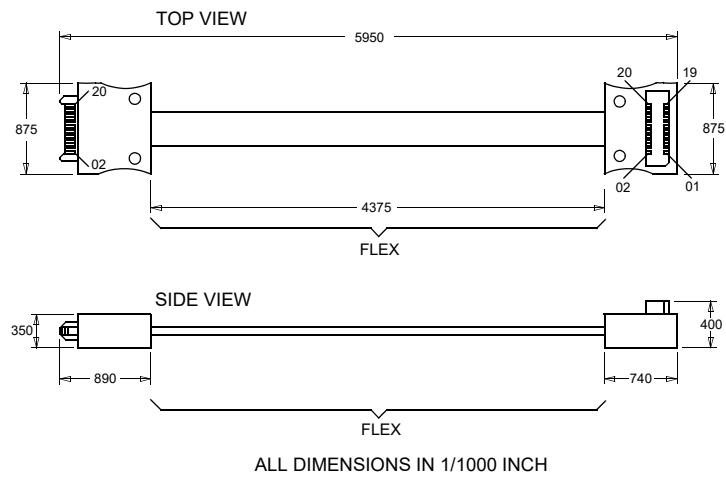


SI-1230

LA-1230 Flex Ext. for SAMTEC 20 pin ERM-ERF series



SI-1230

Technical Information