

In-Circuit Emulator for MC68000 and MC6830X

TMP68301

TMP68303

- Support for all family members
- 33 MHz no-waitstate emulation
- 3.3V and 5V support
- Support for single and dual-chip emulation mode
- Address reconstruction unit
- On-Circuit emulation with clip-over adapter
- Interface with all compilers
- C++ support
- CASE tools interface
- RTOS support
- Windows9x, NT and Motif interface

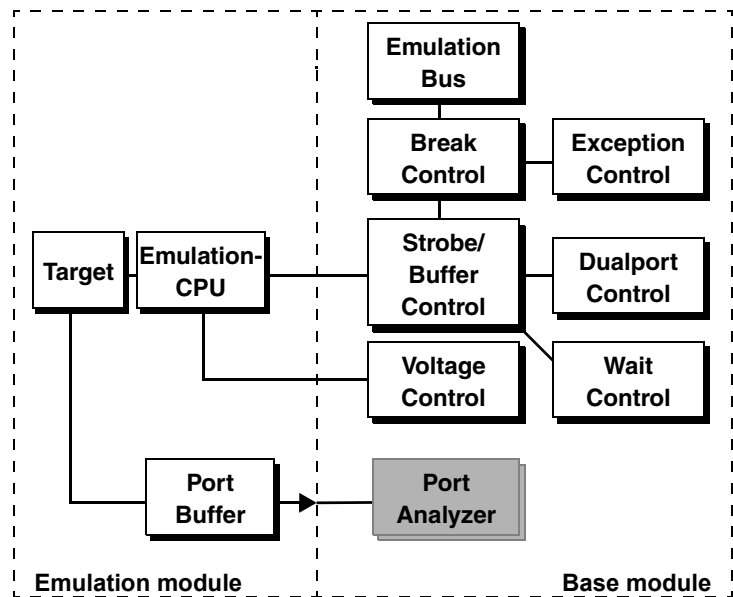
The TRACE32-ICE68300 supports all members of the 68000/683xx-family from Freescale and some members of 683xx-family from Toshiba. The system is designed for bondout and non-bondout controllers. Its modular and open technology allows the fast integration of new chip designs.

A software compatible ROM Monitor is also available.

TRACE32 works with the highest variety of host interfaces. The communication link to the host is done by the printer port, a fibre optic interface or ethernet allowing a high-speed transfer.

Features

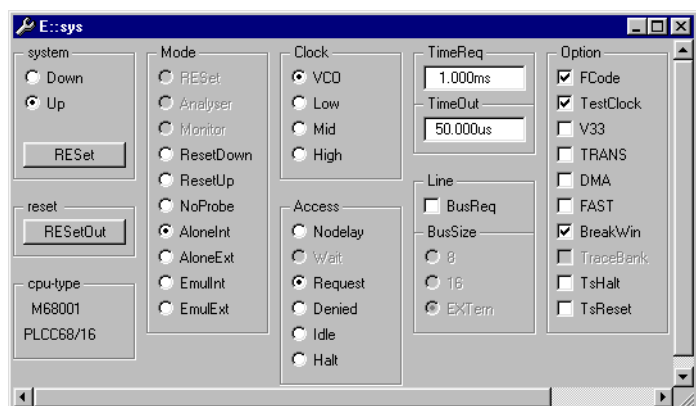
Basics of Operation



Operating Modes

The Emulator can work in stand-alone mode with internal clock or in active mode with internal or the target clock. On power-down of the target system

the emulator tristates its output buffers and isolates its internal emulation circuits.



The operation modes are as follows:

Reset Down

- Reset Up
- Alone Internal
- Alone External
- Emulation Internal
- Emulation External

Clock

- Operation with external or internal Clock
- 1..35 MHz internal clock

Dual-Port Access

All TRACE32 memories are dual-ported. The dual-port access makes it possible to display and modify the contents of the overlay memory, to set or delete breakpoints or use the flag memory while the application is running in real-time.

There are 3 modes for dual-port access

- Request
- Nodelay
- Idle
- Halt

The **REQUEST mode** is the default method accessing memory in real-time. It only works if the Busrequest/BusGrand function is available.

In **NODELAY mode** the Dualport access is done while the buscycle is not active (AS- is HIGH). This access mode was made for CPU's which have no BR- line (68LC302, 68PM302). With 25ns SRAM this mode works up to 19..20MHz.

In **IDLE mode** the Dualport access is done while the CPU is running an Idle cycle. Like NODELAY mode this access mode was made for CPU's which have no BR- line. It only works if there are idle cycles in the executed program. With 25ns SRAM the speed limit is at 20..21MHz.

HALT mode enables dualport access by forcing the HALT-pin. This mode is required if none of the other modes will work. It has no speedlimit but there might be malfunction if the program is using RESET instructions.

HLL Debugging

Step	Step Over	Go Next	Go Return	Go Up	Go	Break	Mode
r	H						
r	H	22					
r	H	24					
r	H	26					
r	H	27					
r	H	28					
r	HP	29					
r	HP	30					
r	H	31					
r	H	32					
r	H	33					
r	H	34					
r	H	35					
r	H	36					
r	H	37					
r	H	38					
r	H	39					
r	H	41					

```

anzahl = 0;
for ( i = 0 ; i <= SIZE ; flags[ i++ ] = TRUE ) ;
for ( i = 0 ; i <= SIZE ; i++ )
{
    if ( flags[ i ] )
    {
        primz = i + i + 3;
        k = i + primz;
        while ( k <= SIZE )
        {
            flags[ k ] = TRUE;
            k += primz;
        }
        anzahl++;
    }
}
return anzahl;

```

Multitask Debugging

To keep the user application running (Interrupts etc.), while emulation using single steps or watching variables, parts of the user program can still be active.

- One foreground task
- One background task

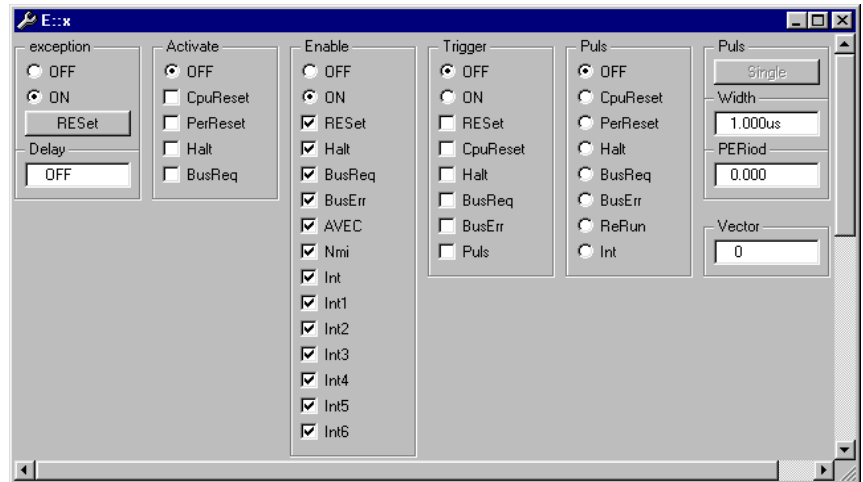
Target Clock and Voltage Monitoring

This feature prevents failures caused by missing clock or undervoltage.

Wait System

- Additional wait cycles (1-15) may be specified
- Up to 250 wait cycles (4K blocks global and bitwise)

Exception Control



The TRACE32 exception controller allows you to permanently activate an exception, to enable or disable specific exceptions, to trigger on specific exceptions or to stimulate an exception.

- Static exception setting
 - CPURESET
 - PERRESET
 - HALT
 - BUSREQ

- Exception Trigger
 - RESET
 - CPURESET
 - HALT
 - BUSREQ
 - BUSERR
 - Simulated Exception

- Exception Control
 - RESET
 - HALT
 - BUSERR
 - AVEC
 - INT1 .. INT6
 - NMI

Port Analyzer

On the emulation base there is an extra slot for the TRACE32 Port Analyzer. Depending on CPU type various

signals can be traced. Some probes have connectors to trace external target lines.

On-Circuit Emulation

- Support for Clip-Over adapters

Modules Overview

tbd

Debug Interfaces

Compiler

Language	Compiler	Company	Option	Comment
ADA	ALSYS-ADA		IEEE	limited support (IEEE)
ADA	TELESOFT-ADA	Telesoft	IEEE	limited support (IEEE)
ASM	RTOS	IEP GmbH	SYM/LOC	Source level debugging
ASM	ASM68K	Mentor Graphics Corporation	IEEE	Source level debugging
ASM	VERSADOS-ASM	NXP Semiconductors	VERSADOS	symbols only
ASM	OS-9-ASSEMBLER	Radisys Inc.	ROF	Source level debugging
ASM	AS68	TASKING	IEEE	
C	HP-64000-C		HP	no type/locals info
C	ORGANON	CAD-UL Electronic Services GmbH	BOUND	
C	C68K	Cosmic Software	COSMIC	
C	GNU-C	Free Software Foundation, Inc.	ELF/DWARF	
C	GNU-C	Free Software Foundation, Inc.	COFF	
C	GNU-C	Free Software Foundation, Inc.	ELF/DWARF	
C	GREEN-HILLS-C	Greenhills Software Inc.	COFF	
C	ICC68K	Introl Corporation	ICOFF	
C	MCC	Mentor Graphics Corporation	IEEE	

Language	Compiler	Company	Option	Comment
C	HT-68K	Microchip Technology Inc.	HITECH	
C	HICROSS-68K	NXP Semiconductors	HICROSS	
C	CC68K	NXP Semiconductors	COFF	
C	ULTRA-C	Radisys Inc.	ROF	OS/9 compilers
C	OS/9-C	Radisys Inc.	ROF	
C	CROSSCODE-C	SDSI	SDS	
C	SCC68K	Sierra	COFF	
C	SUN3-CC	Oracle Corporation	DBX	
C	ICC68K	TASKING	COFF	
C	ICC68K	TASKING	IEEE	
C	TT-68K	TASKING	IEEE	
C	TCC68K	TASKING	AOUT	only source and syms
C	TEKTRONIX-C	Tektronix	COMFOR	
C	D-CC	Wind River Systems	IEEE	
C	D-CC	Wind River Systems	ELF/DWARF	
C++	ORGANON-C++	CAD-UL Electronic Services GmbH	BOUND	
C++	GNU-C++	Free Software Foundation, Inc.	DBX	
C++	GNU-C++	Free Software Foundation, Inc.	ELF/DWARF	
C++	CCC68K	Mentor Graphics Corporation	IEEE	
C++	HICROSS-68K	NXP Semiconductors	HICROSS	
C++	CODEWARRIOR	NXP Semiconductors	ELF/DWARF	
C++	CROSSCODE-C++	SDSI	SDS	

Language	Compiler	Company	Option	Comment
C++	D-C++	Wind River Systems	ELF/DWARF	
MODULA	MOD68K	Introl Corporation	ICOFF	
MODULA	MCS2	Multichannel systems GmbH	COFF	
MODULA	MCDS	NXP Semiconductors	MCDS	
PASCAL	MPC	Mentor Graphics Corporation	IEEE	
PEARL	RTOS	IEP GmbH	SYM/LOC	no type/locals info

RTOS Support

Company	Product	Comment
Atego Ltd.	AdaWorld ARTK	
KadakProducts Ltd.	AMX	
Oracle Corporation	ChorusOS	
CMX Systems Inc.	CMX-RTX	
Synopsys, Inc	MQX	2.40 and 2.50, 3.6
	MTOS-UX	
Mentor Graphics Corporation	Nucleus PLUS	
Radisy Inc.	OS-9	
Enea OSE Systems	OSE Classic	(OS68)
Enea OSE Systems	OSE Delta	4.x and 5.x
	RealTime Craft	(XEC68k)
Quadros Systems Inc.	RTXC 3.2	
IBM Corp.	SDT-Cmicro	

Company	Product	Comment
-	uCLinux	Kernel Version 2.4 and 2.6, 3.x
Mentor Graphics Corporation	VRTX32	
Mentor Graphics Corporation	VRTXmc	
Mentor Graphics Corporation	VRTXsa	
Wind River Systems	VxWorks	5.x and 6.x

Debugger Support

CPU	Tool	Company	Host
	WINDOWS CE PLATF. BUILDER	-	Windows
	CODE::BLOCKS	-	-
	C++TEST	-	Windows
	ADENEO	-	
	X-TOOLS / X32	blue river software GmbH	Windows
	CODEWRIGHT	Borland Software Corporation	Windows
	CODE CONFIDENCE TOOLS	Code Confidence Ltd	Windows
	CODE CONFIDENCE TOOLS	Code Confidence Ltd	Linux
	EASYCODE	EASYCODE GmbH	Windows
	ECLIPSE	Eclipse Foundation, Inc	Windows
	CHRONVIEW	Inchron GmbH	Windows
	LDRA TOOL SUITE	LDRA Technology, Inc.	Windows

CPU	Tool	Company	Host
	UML DEBUGGER	LieberLieber Software GmbH	Windows
	SIMULINK	The MathWorks Inc.	Windows
	ATTOL TOOLS	MicroMax Inc.	Windows
	VISUAL BASIC INTERFACE	Microsoft Corporation	Windows
	LABVIEW	NATIONAL INSTRUMENT S Corporation	Windows
	TPT	PikeTec GmbH	Windows
	CANTATA	QA Systems Ltd	Windows
	RAPITIME	Rapita Systems Ltd.	Windows
	RHAPSODY IN MICROC	IBM Corp.	Windows
	RHAPSODY IN C++	IBM Corp.	Windows
	TESSY	Razorcat Development GmbH	Windows
	DA-C	RistanCASE	Windows
	TRACEANALY ZER	Symtavisio n GmbH	Windows
	ECU-TEST	TraceTronic GmbH	Windows
	UNDODB	Undo Software	Linux
	TA INSPECTOR	Vector	Windows
	VECTORCAS T UNIT TESTING	Vector Software	Windows
	VECTORCAS T CODE COVERAGE	Vector Software	Windows
68K	OS68 DEBUGGER	Enea OSE Systems	-
68K	SDT CMICRO	IBM Corp.	Windows
68K	DIAB RTA SUITE	Wind River Systems	Windows

Operation Frequency

The maximum operation frequency of TRACE32-ICE68300 depends on:

- The max. frequency of the CPU
- The access time of the overlay memory (15ns or 35ns)
- The mapper mode (**S**low or **F**ast)
- The number of waitstates (W0 = 0 waitstates
W1 = 1 waitstate)
- The dual-port access mode

Denied, Request and Halt Access

Gap Access

Dimensions

Module Dimensions

tbd

Connectors

On each emulation module there are half-size connectors to:

- ❑ Connect the emulation module directly to the target by providing the corresponding connectors also on the target hardware

- ❑ Connect a standard adapter from Emulation Technologie, YAMAICHI, AMP etc.

The following table lists the physical dimensions of these half size connectors.
tbd

Adapter

Not necessary.

Available Tool Chain

TRACE32 provides a complete set of development tools for the 16x family. This includes:

- The In-Circuit Emulator TRACE32-ICE
- The high speed RISC Emulator TRACE32-FIRE
- The BDM/JTAG/ONCE etc. based In-Circuit Debugger TRACE32-ICD
- The ROM Monitor based In-Circuit Debugger TRACE32-ICD
- Evaluation boards, which can be used until the target hardware is available.

The following list give an overview which development tools are available for the specific derivatives of the 16x-family.
tbd

Order Information

Module Description

Detailed Order Information

Contact

International Representative

Argentina

Anacom Eletronica Ltda.
Mr. Rafael Sorice
Rua Nazareth, 807, Barcelona
BR-09551-200 São Caetano do Sul, SP
Phone: +55 11 3422 4200
FAX: +55 11 3422 4242
EMAIL: rsorice@anacom.com.br

Australia

Embedded Logic Solutions P/L
Mr. Ramzi Kaffan
Suite 2, Level 3
144 Marsden Street
Parramatta NSW 2150
Phone: +61 2 9687 1880
FAX: +61 2 9687 1881
EMAIL: sales@emlogic.com.au

Austria

Lauterbach GmbH
Alltaufstr. 40
D-85635 Höhenkirchen-Siegertsbrunn
Phone: +49 8102 9876 130
FAX: +49 8102 9876 187
EMAIL: sales@lauterbach.com

Belgium

Tritec Benelux B.V.
Mr. Robbert de Voogt
Stationspark 550
NL-3364 DA Sliedrecht
Phone: +31 184 41 41 31
FAX: +31 184 42 36 11
EMAIL: software@tritec.nl

Brazil

Anacom Eletronica Ltda.
Mr. Rafael Sorice
Rua Nazareth, 807, Barcelona
BR-09551-200 São Caetano do Sul, SP
Phone: +55 11 3422 4200
FAX: +55 11 3422 4242
EMAIL: rsorice@anacom.com.br

Canada

Lauterbach Inc.
Mr. Udo Zoettler
4 Mount Royal Ave.
USA-Marlborough, MA 01752
Phone: +1 508 303 6812
FAX: +1 508 303 6813
EMAIL: info_us@lauterbach.com

China Beijing

Lauterbach Technologies Co., Ltd
Mr. Linglin He
Beijing Office
A3, South Lishi Road, XiCheng District
Beijing 100037, P.R. China
Phone: +86 10 68023502
FAX: +86 10 68023523
EMAIL: linglin.he@lauterbach.com

China Shenzhen

Lauterbach Technologies Co., Ltd
1406/E Xihaimingzhu Building
No.1 Taoyuan Road, Nanshan District
Shenzhen 518052, P.R. China
Phone: +86 755 8621 0671
FAX: +86 755 8621 0675
EMAIL: emily.zhang@lauterbach.com

China Suzhou

Lauterbach Technologies Co., Ltd
Mr. Linglin He
Hengyu Square, Rm 709
No. 188, Xing Hai Street
Suzhou, 215021 P.R. of China
Phone: +86 512 6265 8030
FAX: +86 512 6265 8032
EMAIL: info_cn@lauterbach.com

Czech Republic

Lauterbach GmbH
Alltaufstr. 40
D-85635 Höhenkirchen-Siegertsbrunn
Phone: +49 8102 9876 130
FAX: +49 8102 9876 187
EMAIL: sales@lauterbach.com

Denmark

Nohau Danmark A/S
Mr. Flemming Jensen
Hørkær 26, Plan 4
DK-2730 Herlev
Phone: +45 44 52 16 50
FAX: +45 44 52 26 55
EMAIL: info@nohau.dk

Egypt

Lauterbach GmbH
Alltaufstr. 40
D-85635 Höhenkirchen-Siegertsbrunn
Phone: +49 8102 9876 130
FAX: +49 8102 9876 187
EMAIL: sales@lauterbach.com

Finland

Nohau Solutions Finland
Mr. Martti Viljainen
Tekniikantie 14
FI-02150 Espoo
Phone: +358 40 546 0142
FAX: +358 9 2517 8101
EMAIL: sales@nohau.fi

France

Lauterbach S.A.R.L.
Mr. Jean-Pierre Paradiso
Europarc - Le Hameau B
135 Chemin Des Bassins
F-94035 Créteil Cedex
Phone: +33 1 49 56 20 30
FAX: +33 1 49 56 20 39
EMAIL: info_fr@lauterbach.com

Germany

Lauterbach GmbH
Sales Team Germany
Alltaufstr. 40
D-85635 Höhenkirchen-Siegertsbrunn
Phone: +49 8102 9876 130
FAX: +49 8102 9876 187
EMAIL: sales@lauterbach.com

Greece

Lauterbach GmbH
Alltaufstr. 40
D-85635 Höhenkirchen-Siegertsbrunn
Phone: +49 8102 9876 130
FAX: +49 8102 9876 187
EMAIL: sales@lauterbach.com

Hungary

Lauterbach GmbH
Alltaufstr. 40
D-85635 Höhenkirchen-Siegertsbrunn
Phone: +49 8102 9876 130
FAX: +49 8102 9876 187
EMAIL: sales@lauterbach.com

India-Bangalore

Electro Systems Associates Pvt. Ltd.
Mr. G. V. Gurunatham
S-606, World Trade Center
Malleswaram West, No.26/1, Dr. Rajkumar
Road
India - Bangalore 560055
Phone: +91 80 67648888
FAX: +91 80 23475615
EMAIL: Trace32sales@esaindia.com

India-Chennai

Electro Systems Associates Pvt. Ltd.
Mr. D. Kannan
No.109 /59A - Ground Floor
IV Avenue, Ashok Nagar
India - Chennai - 600 083 Tamilnadu
Phone: +91 044-24715750
FAX: +91 44 24715750
EMAIL: chennai@esaindia.com

India-Delhi

Electro Systems Associates Pvt. Ltd.
Mr. R.K. Bhandari
No. 705, 7th Floor, Laxmi Deep
Shivajinagar
India - Delhi - 110 092
Phone: +91 11-22549351
FAX:
EMAIL: delhi@esaindia.com

India-Hyderabad

Electro Systems Associates Pvt. Ltd.
Mr. C.V.M. Sri Ram Murthy
Shop No. 14, "Global Enclave"
Bhagyanagar Colony, Kukat pally
India - Hyderabad 500 072
Phone: +91 40-23063346
FAX: +91 40-23063346
EMAIL: hyderabad@esaindia.com

India-Kolkata

Electro Systems Associates Pvt. Ltd.
Mr. Arun Roy
India - Kolkata
Phone: +91 98305 78843
FAX:
EMAIL: kolkata@esaindia.com

India-Pune

Electro Systems Associates Pvt. Ltd.
Mr. R K Bhandari
Shriram Complex,1126/1, Model Colony
Shivajinagar
India - Pune - 411 016
Phone: +91 20 - 30462035 / 25663
FAX: +91 20-25677202
EMAIL: pune@esaindia.com

Ireland

Lauterbach Ltd.
Mr. Richard Copeman
11 Basepoint Enterprise Centre
Stroudley Road
Basingstoke, Hants RG24 8UP
Phone: 0044-118 328 3334
FAX:
EMAIL: info_uk@lauterbach.com

Israel

Itec Ltd.
Mr. Mauri Gottlieb
P.O.Box 10002
IL-Tel Aviv 61100
Phone: +972 3 6491202
FAX: +972 3 6497661
EMAIL: general@itec.co.il

Italy

Lauterbach Srl
Mr. Maurizio Menegotto
Via Enzo Ferrieri 12
I-20153 Milano
Phone: +39 02 45490282
FAX: +39 02 45490428
EMAIL: info_it@lauterbach.com

Japan

Lauterbach Japan, Ltd.
Mr. Kenji Furukawa
3-8-8 Shinyokohama
Kohoku-ku, Nisso 16th Building
Yokohama-shi, Japan 222-0033
Phone: +81 45 477 4511
FAX: +81 45 477 4519
EMAIL: info@lauterbach.co.jp

Luxembourg

Tritec Benelux B.V.
Mr. Robbert de Voogt
Stationspark 550
NL-3364 DA Sliedrecht
Phone: +31 184 41 41 31
FAX: +31 184 42 36 11
EMAIL: software@tritec.nl

Malaysia

Flash Technology
Mr. Teo Kian Hock
No 61, # 04-15 Kaki Bukit Av 1
Shun Li Industrial Park
SGP-Singapore 417943
Phone: +65 6749 6168
FAX: +65 6749 6138
EMAIL: teokh@flashtech.com.sg

Mexico

Lauterbach Inc.
Mr. Udo Zoettler
4 Mount Royal Ave.
USA-Marlborough, MA 01752
Phone: +1 508 303 6812
FAX: +1 508 303 6813
EMAIL: info_us@lauterbach.com

Netherlands

Tritec Benelux B.V.
Mr. Robbert de Voogt
Stationspark 550
NL-3364 DA Sliedrecht
Phone: +31 184 41 41 31
FAX: +31 184 42 36 11
EMAIL: software@tritec.nl

New Zealand

Embedded Logic Solutions P/L
Mr. Ramzi Kattan
Suite 2, Level 3
144 Marsden Street
Parramatta NSW 2150
Phone: +61 2 9687 1880
FAX: +61 2 9687 1881
EMAIL: sales@emilogic.com.au

Norway

Nohau Solutions AB
Mr. Jörgen Nilsson
Derbyvägen 6D
SE-21235 Malmö
Phone: +46 40 592 206
FAX: +46-40 592 229
EMAIL: Jorgen.nilsson@nohau.se

Poland

QUANTUM Sp. z o.o.
Mr. Aleksander Bil
ul. Jeleniogorska 6
54-056 Wrocław
Phone: +48 71 362 6356
FAX: +48 71 362 6357
EMAIL: info@quantum.com.pl

Portugal

Captura Electronica,SCCL
Mr. Juan Martinez
c/Duero, 40
E-08031 Barcelona
Phone: +34 93 429 5730
FAX: +34 93 407 0778
EMAIL: info@captura-el.com

Romania

Lauterbach GmbH
Altlaufstr. 40
D-85635 Höhenkirchen-Siegersbrunn
Phone: +49 8102 9876 130
FAX: +49 8102 9876 187
EMAIL: sales@lauterbach.com

Russia

RTSoft
Mr. Alexey Isaev
Nikitinskaya 3
RUS-105037 Moscow
Phone: +7 495 742 6828
FAX: +7 495 742 6829
EMAIL: sales@rtsoft.msk.ru

Singapore

Flash Technology
Mr. Teo Kian Hock
No 61, # 04-15 Kaki Bukit Av 1
Shun Li Industrial Park
SGP-Singapore 417943
Phone: +65 6749 6168
FAX: +65 6749 6138
EMAIL: teokh@flashtech.com.sg

South Korea, Pangyo

Hancom MDS Inc.
Mr. Dongwook Jun
3FL, Hancom Tower
49, Daewangpangyo-ro 644, Bundang-gu
Seongnam-si, Gyeonggi-do, 463-400, ROK
Phone: +82-31-627-3000
FAX: +82-31-627-3100
EMAIL: trace32@hancommds.com

Spain

Captura Electronica, SCCL
Mr. Juan Martinez
c/Duero, 40
E-08031 Barcelona
Phone: +34 93 429 5730
FAX: +34 93 407 0778
EMAIL: info@captura-el.com

Sweden

Nohau Solutions AB
Mr. Jörgen Nilsson
Derbyvägen 6D
SE-21235 Malmö
Phone: +46 40 592 206
FAX: +46 40 592 229
EMAIL: Jorgen.nilsson@nohau.se

Switzerland

JDT Jberg DatenTechnik
Mr. Andreas Jberg
Zimmereistrasse 2
CH-5734 Reinach AG
Phone: +41 62 7710 886
FAX:
EMAIL: Andreas.Jberg@jdt.ch

Taiwan

Superlink Technology Corp.
Mr. Sulin Huang
3F-8, No. 77, Sec. 1, Xintaiwu Rd., Xizhi District,
New Taipei City 22101, Taiwan, R.O.C.
Phone: +886 2 26983456
FAX: +886 2 26983535
EMAIL: info.stc@superlink.com.tw

Tunisia

Lauterbach Consulting S.A.R.L.
Mr. Khaled Jmal
Route El Ain Km 3.5
TN-3062 Sfax
Phone: +216-31361061
FAX: +216-74611723
EMAIL: info_tn@lauterbach.com

Turkey-1

Tektronik Muh. ve Tic. A.S.
Mr. Hakan Yavuz
CyberPlaza B-Blok, 702B
Bilkent
06800 Ankara
Phone: +90 312 437 3000
FAX: +90 312 437 1616
EMAIL: info@tektronik.com.tr

Turkey-2

G3TEK Embedded Technologies Ltd.
Mr. Celal Aygun
Ilkyerlesim Mah. 445.
Sok. No: 48
06370 Battikent/Ankara
Phone: +90 312 3324769
FAX: +90 312 3324769
EMAIL: info@g3tek.com

UK

Lauterbach GmbH
Mr. Richard Copeman
Altlaufstr. 40
D-85635 Höhenkirchen-Siegersbrunn
Phone: +49 8102 9876 190
FAX: +49 8102 9876 187
EMAIL: sales@lauterbach.com

USA East

Lauterbach Inc.
Mr. Udo Zoettler
4 Mount Royal Ave.
USA-Marlborough, MA 01752
Phone: +1 508 303 6812
FAX: +1 508 303 6813
EMAIL: info_us@lauterbach.com

USA West

Lauterbach Inc.
Mr. Bob Kupyn
1111 Main Street, Suite 620
USA-Vancouver, WA, 98660
Phone: +1 503 524 2222
FAX: +1 503 524 2223
EMAIL: bob.kupyn@lauterbach.com

Additional Information

<http://www.lauterbach.com>

Lauterbach GmbH

Altlaufstr. 40
D-85635 Höhenkirchen-Siegertsbrunn
Tel. ++49 8102 9876-0 FAX -999
info@lauterbach.com
http://www.lauterbach.de

Lauterbach Inc.

4 Mount Royal Ave.
Marlboro MA 01752
Phone (508) 303 6812 FAX (508) 303 6813
info_us@lauterbach.com
http://www.us.lauterbach.com

Lauterbach Ltd.

11 Basepoint Enterprise Ctre Stroudley Road
Basingstoke, Hants RG24 8UP
Phone ++44-1256-333-690 FAX -661
info_uk@lauterbach.com
http://www.lauterbach.co.uk

Lauterbach S.A.R.L.

135 Chemin Des Bassins
F-94035 Créteil Cedex
Phone ++33-149-562-030
FAX ++33-149-562-039
info_fr@lauterbach.com
http://www.lauterbach.fr

Lauterbach Japan, Ltd.

3-9-5 Shinyokohama Kouhoku-ku
Yokohama-shi Japan 222-0033
Phone ++81-45-477-4511 FAX -4519
info_j@lauterbach.com
http://www.lauterbach.co.jp

Lauterbach s.r.l.

Lauterbach s.r.l.
Via Enzo Ferrieri 12
I-20153 Milano
Phone ++39 02 45490282
FAX ++39 02 45490428
info_it@lauterbach.it
http://www.lauterbach.it

Suzhou Lauterbach Consulting Co.,Ltd.

Room 1605, Xing Hai International Square
No.200, Xing Hai Street
Suzhou, 215021 PR of China
Phone: 0086-512 6265 8030
FAX: 0086-512 6265 8032
info_cn@lauterbach.cn
http://www.lauterbach.cn

Disclaimer

The information presented is intended to give overview information only. Changes and technical enhancements or modifications can be made without notice.