

ARM/Cortex Trace (parallel)

- Up to 4 GByte trace buffer
- Target voltage 0.9 .. 3.6 V
- 5 ns time stamp
- Program and data trace
- Performance analysis
- Function and task run-time measurement
- Code coverage
- Support for Embedded Trace Macrocell (ETM), Program Trace Macrocell (PTM)
- Support for Embedded Trace Buffer (ETB), Trace Memory Controller (TMC), Trace Port Interface Unit (TPIU)
- Support for multiple trace sources in a single stream (CoreSight trace)

Hardware configuration

ARM-ETM on PowerTrace



❑ 64 MFrames trace depth

❑ 32 bit time stamp with a 20 ns resolution

ARM-ETM on RISC Trace Module

- ❑ Up to 256 kFrames trace depth
- ❑ 36 bit time stamp with a 25 ns resolution

ETM preprocessors

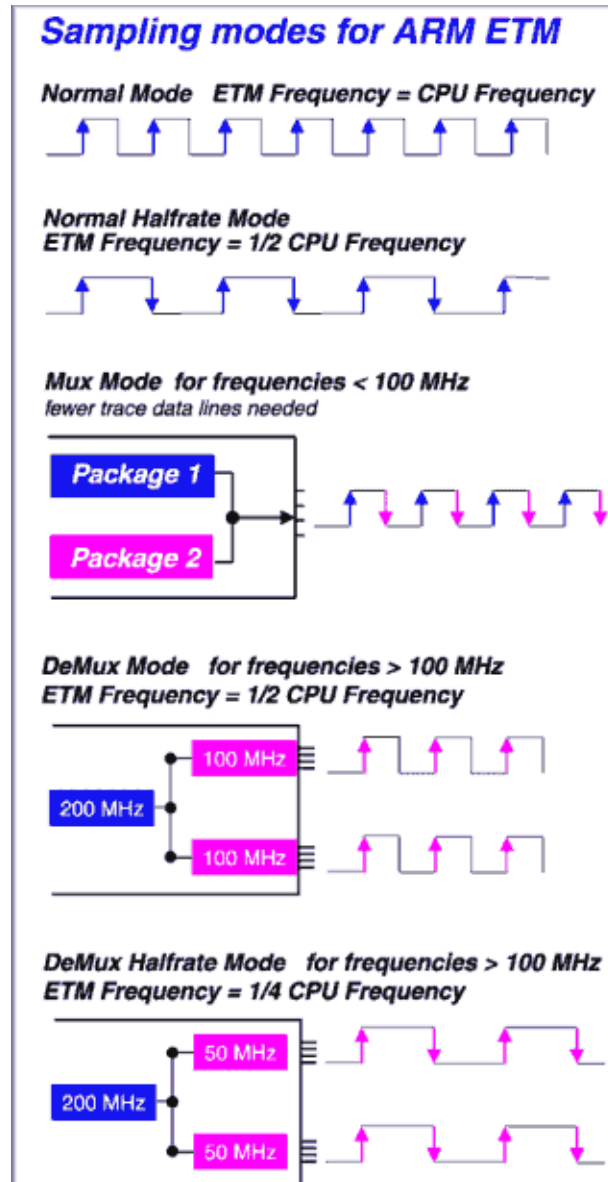


*Preprocessor for
ARM-ETM Horizontal*

*Preprocessor for
ARM-ETM 2-ETMs*

*Preprocessor for
ARM-ETM Vertical*

Support for all ETM modes



Normal Mode

- Trace port configuration:**
4 bit +4
8 bit +4
16 bit +4
- Sampling edge:** raising
- ETM frequency:** CPU frequency
- Max. supported CPU frequency:**
120 MHz/200MHz
- Preprocessor:**
Preprocessor for ARM-ETM
Vertical

Preprocessor for ARM-ETM
Horizontal

Preprocessor for ARM-ETM
2 ETMs

Normal Halfrate Mode

- Trace port configuration:**
4 bit +4
8 bit +4
16 bit +4
- Sampling edge:**
raising and falling
- ETM frequency:**
1/2 CPU frequency
- Max. supported CPU frequency:**
120 MHz/200MHz
- Preprocessor:**
Preprocessor for ARM-ETM
Horizontal

Preprocessor for ARM-ETM
2 ETMs

Mux Mode

- Trace port configuration:**
4
6
10
- Sampling edge:**
raising and falling
- ETM frequency:**
CPU frequency
- Max. supported CPU frequency:**
120 MHz
- Preprocessor:**
Preprocessor for ARM-ETM
Horizontal

Preprocessor for ARM-ETM
2 ETMs

DeMux Mode

- Trace port configuration:**
2 * (4 bit +4)
2 * (8 bit +4)
2 * (16 bit +4)
- Sampling edge:**
raising
- ETM frequency:**
1/2 CPU frequency
- Max. supported CPU frequency:**
240MHz
- Preprocessor 2 * (4 bit +4):**
Preprocessor for ARM-ETM
Vertical

Preprocessor for ARM-ETM
Horizontal

Preprocessor for ARM-ETM
2 ETMs
- Preprocessor 2 * (8 bit +4) and 2 * (16 bit +4):**
Preprocessor for ARM-ETM
2 ETMs

DeMux Mode

- Trace port configuration:**
 - 2 * (4 bit +4)
 - 2 * (8 bit +4)
 - 2 * (16 bit +4)
- Sampling edge:**
raising and falling
- ETM frequency:**
1/4 CPU frequency
- Max. supported CPU frequency:**
240MHz
- Preprocessor 2 * (4 bit +4):**
Preprocessor for ARM-ETM
Horizontal

Preprocessor for ARM-ETM
2 ETMs
- Preprocessor 2 * (8 bit +4) and 2 * (16 bit +4):**

Preprocessor for ARM-ETM
2 ETMs

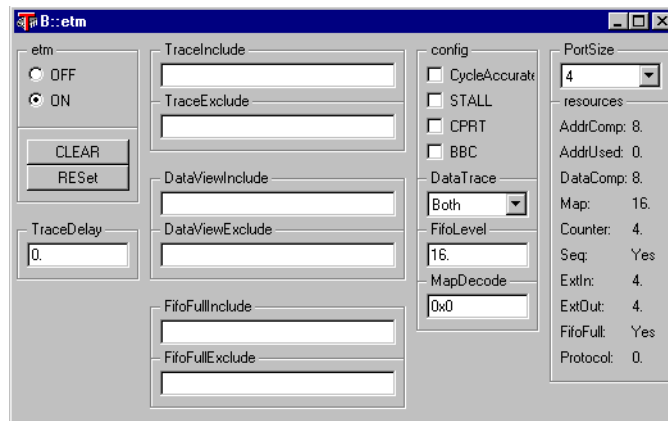
Features

Trace for ETM

The Embedded Trace Macrocell (ETM) generates program and data flow information for ARM core-based system on-chip designs. The TRACE32 trace for the ETM samples this information at

clock speeds up to 200 MHz. All trigger and filter features provided by the ETM are fully supported.

ETM Settings



- Shows and changes ETM configuration
- Defines areas of interest

Onchip Trigger

ETM Programming

Definition

Address Address

A-Range: flags or

B-Range: or

C-Range: or

Value Value

DATA0: COUNT0: 10

DATA1: COUNT1:

Level0

Action	IF	Address/Range	&	RD/WR...	&	Data	&	Count
Trigger TRACE	IF	A-Range	&	wWRITE	&		&	
Goto Level1	IF	A-Range	&		&		&	
	IF		&		&		&	
	IF		&		&		&	

Level1

Action	IF	Address/Range	&	RD/WR...	&	Data	&	Count
Sample	IF	A-Range	&		&		&	
Goto Level0	IF	NOT A-Range	&		&		&	COUNT0
	IF		&		&		&	

Level2

Action	IF	Address/Range	&	RD/WR...	&	Data	&	Count
	IF		&		&		&	
	IF		&		&		&	
	IF		&		&		&	

CLEAR LOAD VIEW SAVE Program Program & Save Program & Save & Close

Actual used file: About

- Defines the trace and trigger conditions
- Can be changed without stopping the target

Analyzer Features

```

*****
char flags[SIZE+1];
int sieve() /* sieve of erathostenes */
678 {
    R:000093BC mov r12,r13
    R:000093C0 stmdb r13!,{r4,r11-r12,r14,pc}
-00002740 f D:0000FD4 wr-long 00BC614E ...le\Global\_cpp_finalise+0xFD4
-00002739 f D:0000FD8 wr-long 0000FFC ...le\Global\_cpp_finalise+0xFD8 <0.100us
-00002738 f D:0000FDC wr-long 0000FEB ...le\Global\_cpp_finalise+0xFDC <0.100us
-00002737 f D:0000FE0 wr-long 000093A0 ...le\Global\_cpp_finalise+0xFE0 <0.100us
-00002736 f D:0000FE4 wr-long 000093CC ...le\Global\_cpp_finalise+0xFE4 <0.100us
    R:000093C4 sub r11,r12,#0x4
    register int i, primz, k;
    int anzahl;

682    anzahl = 0;
    R:000093C8 mov r3,#0x0

684    for ( i = 0 ; i <= SIZE ; flags[ i++ ] = TRUE ) ;
    R:000093CC mov r1,#0x0
    R:000093D0 cmp r1,#0x12
  
```

- Trace can be viewed in multiple free configurable windows
- Trace display possible without stopping the target
- HLL and Assembler code display
- Fast display of trace without delays

```

B::a.l def l.q
record run address cycle d.l symbol ti.back
char flags[SIZE+1];
int sieve() /* sieve of erathostenes */
678 {
    register int i, primz, k;
    int anzahl;

682    anzahl = 0;

684    for ( i = 0 ; i <= SIZE ; flags[ i++ ] = TRUE ) ;

686    for ( i = 0 ; i <= SIZE ; i++ )
687    {
688        if ( flags[ i ] )
689        {
690            primz = i + i + 3;
691            k = i + primz;
692            while ( k <= SIZE )
693            {
694                flags[ k ] = FALSE;
695                k += primz;
696            }
692            while ( k <= SIZE )

```

CTS Context Tracking System

```

D::Analyzer.ListCts
record run address cycle d.l symbol ti.back
v17 = 97
v16 = 2
431 v17 += v16;
v17 = 99
v16 = 3
-00001477 ..... 0.800us
v17 = 99
433 return v17;
-00001422 ..... 0.300us
-00001409 func10+0x544 ..... 66.900us
636 func11( 5 );
-00001396 ..... 1.100us
-00001388 func11
arm.c\435
x = 5
-00001339 func11+0x7C ..... 0.700us
638 func13( 1, 2, 3 );
-00001332 ..... 5.900us
-00001316 func13 ..... 5.500us

```

- Tracks the state of HLL variables from the trace buffer (including register variables)
- Allows to single step thru code that was recorded in a real-time trace and watch the variables.

Connector

Connector Type

AMP part no.	Description
2-767004-2	Vertical, surface mount, board to board/cable connector.
767054-1	Vertical, surface mount, board to board/cable connector.
767061-1	Vertical, surface mount, board to board/cable connector.
767044-1	Right angle, straddle mount, board to board/cable connector.

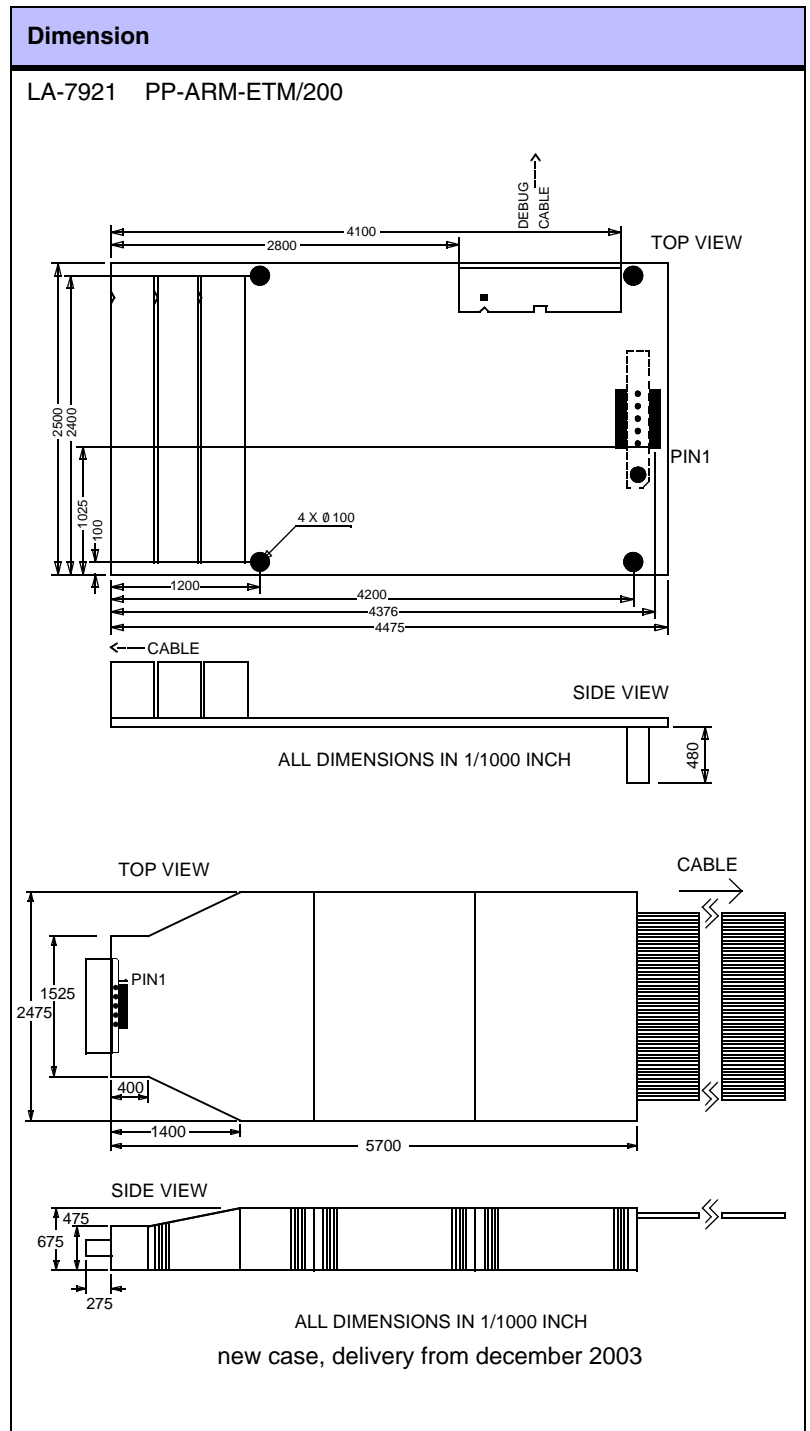
Single ETM Connector

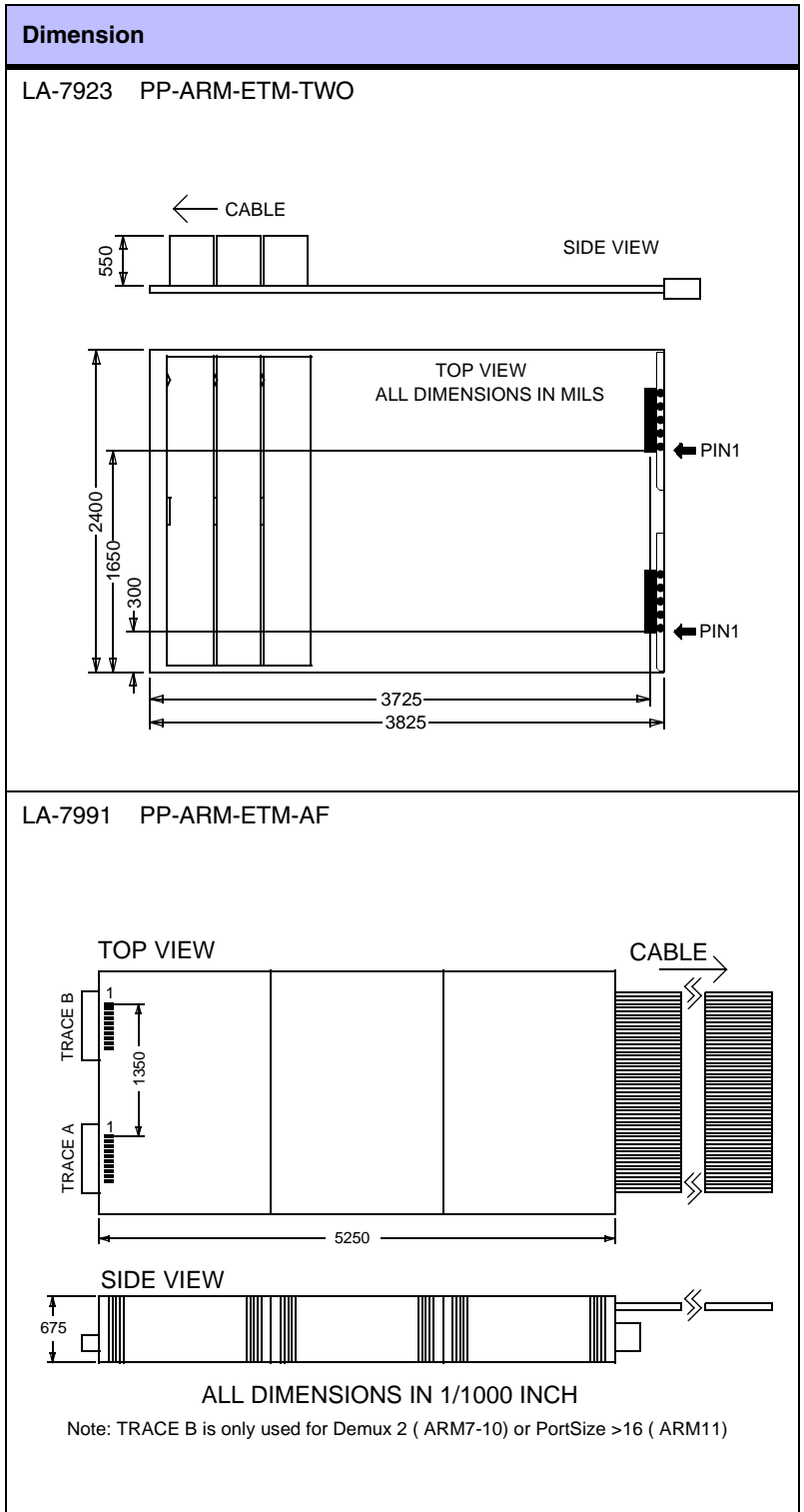
Signal	Pin	Pin	Signal
N/C	1	2	N/C
N/C	3	4	N/C
N/C	5	6	TRACECLK
DBGRRQ	7	8	DBGACK
RESET-	9	10	EXTRIG
TDO	11	12	VREF-TRACE
RTCK	13	14	VREF-DEBUG
TCK	15	16	TRACEPKT7
TMS	17	18	TRACEPKT6
TDI	19	20	TRACEPKT5
TRST-	21	22	TRACEPKT4
TRACEPKT15	23	24	TRACEPKT3
TRACEPKT14	25	26	TRACEPKT2
TRACEPKT13	27	28	TRACEPKT1
TRACEPKT12	29	30	TRACEPKT0
TRACEPKT11	31	32	TRACESYNC
TRACEPKT10	33	34	PIPESTAT2
TRACEPKT9	35	36	PIPESTAT1
TRACEPKT8	37	38	PIPESTAT0

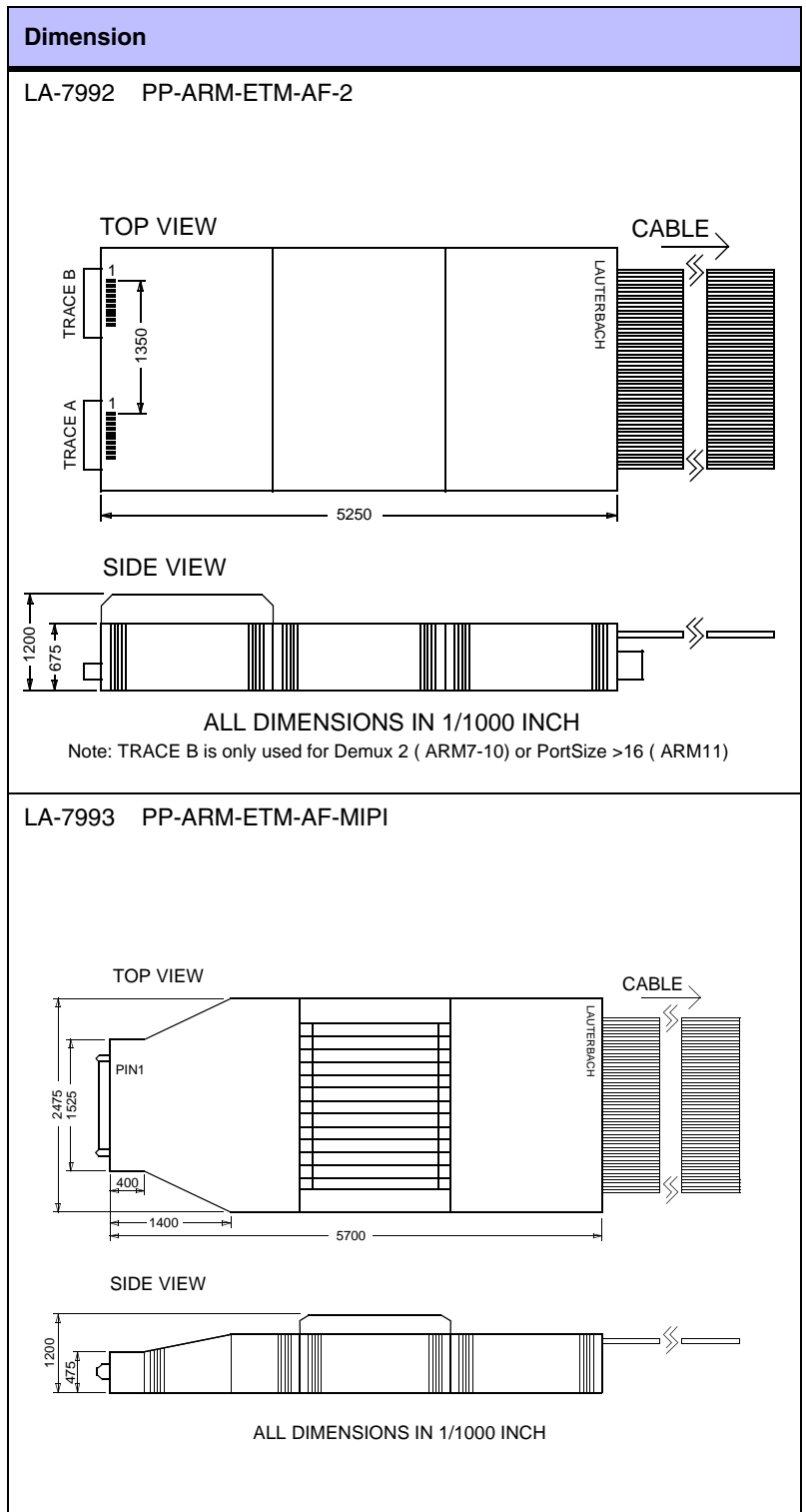
Dual ETM Connector

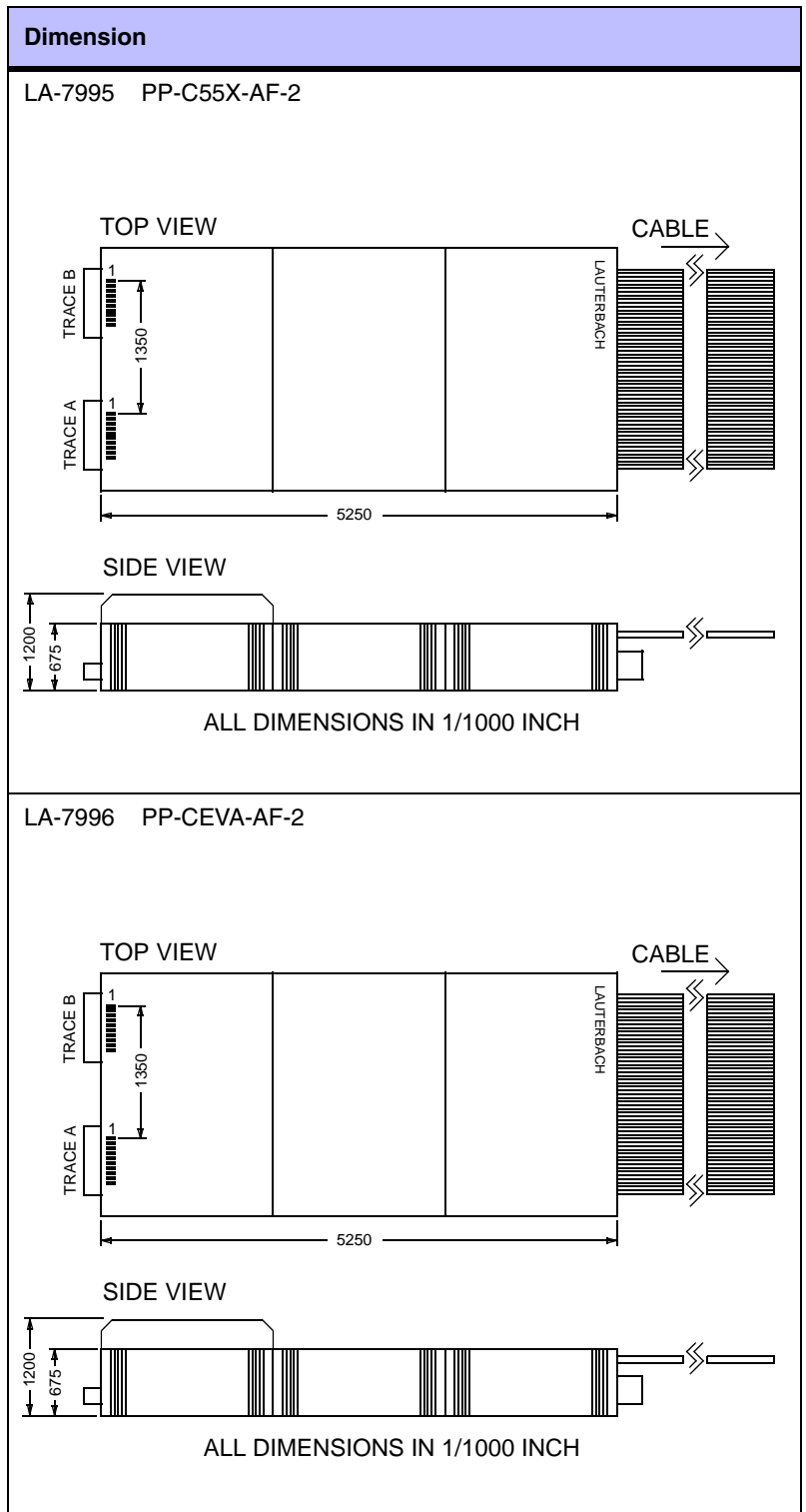
Signal	Pin	Pin	Signal
N/C	1	2	N/C
N/C	3	4	N/C
TRACECLKB	5	6	TRACECLKA
DBGRRQ	7	8	DBGACK
SRST-	9	10	EXTRIG
TDO	11	12	VTREF
RTCK	13	14	VCC
TCK	15	16	ATRACEPKT7
TMS	17	18	ATRACEPKT6
TDI	19	20	ATRACEPKT5
TRST-	21	22	ATRACEPKT4
BTRACEPKT3	23	24	ATRACEPKT3
BTRACEPKT2	25	26	ATRACEPKT2
BTRACEPKT1	27	28	ATRACEPKT1
BTRACEPKT0	29	30	ATRACEPKT0
BTRACESYNC	31	32	ATRACESYNC
BPIPESTAT2	33	34	APIPESTAT2
BPIPESTAT1	35	36	APIPESTAT1
BPIPESTAT0	37	38	APIPESTAT0

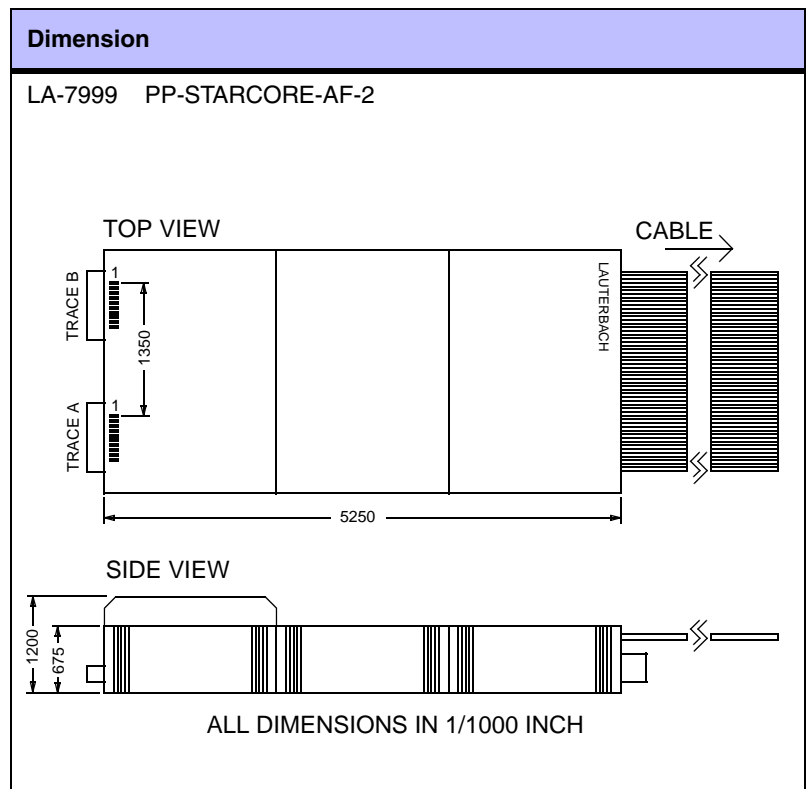
Dimensions

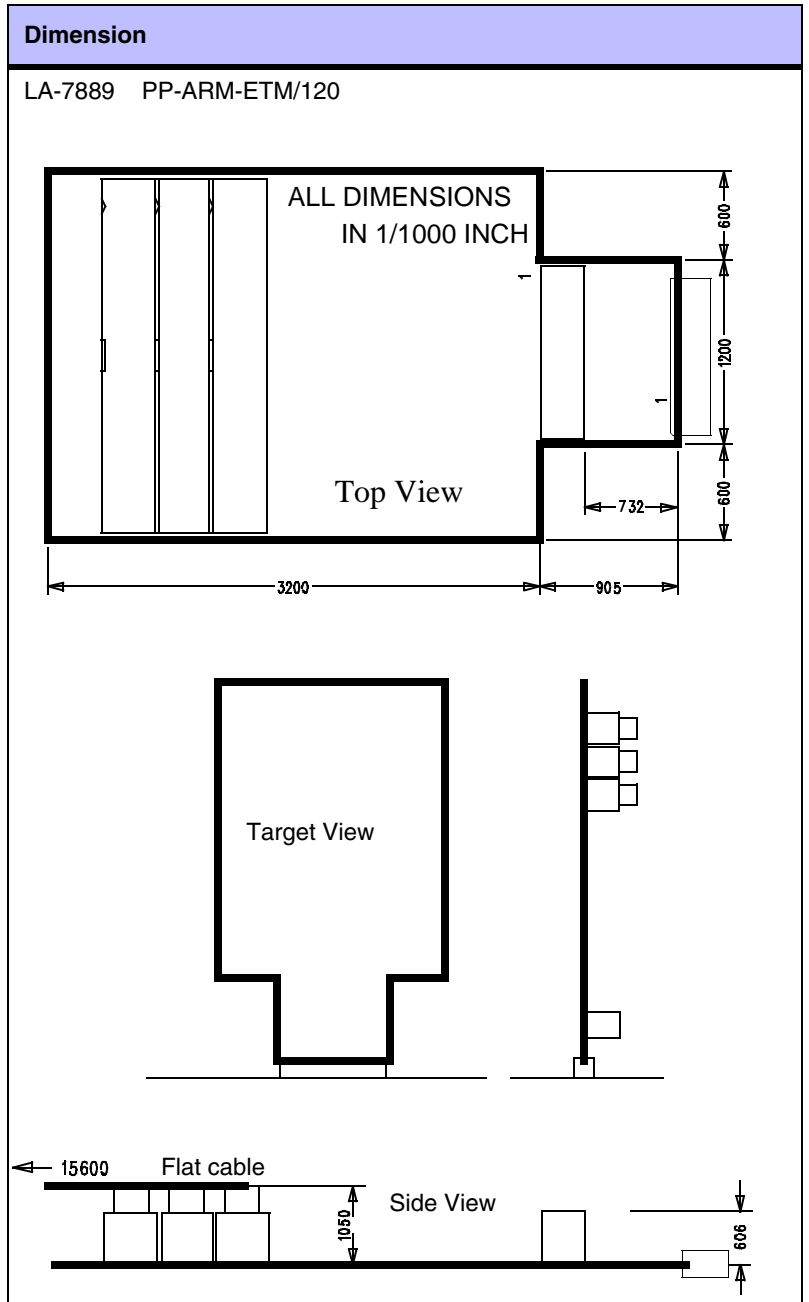


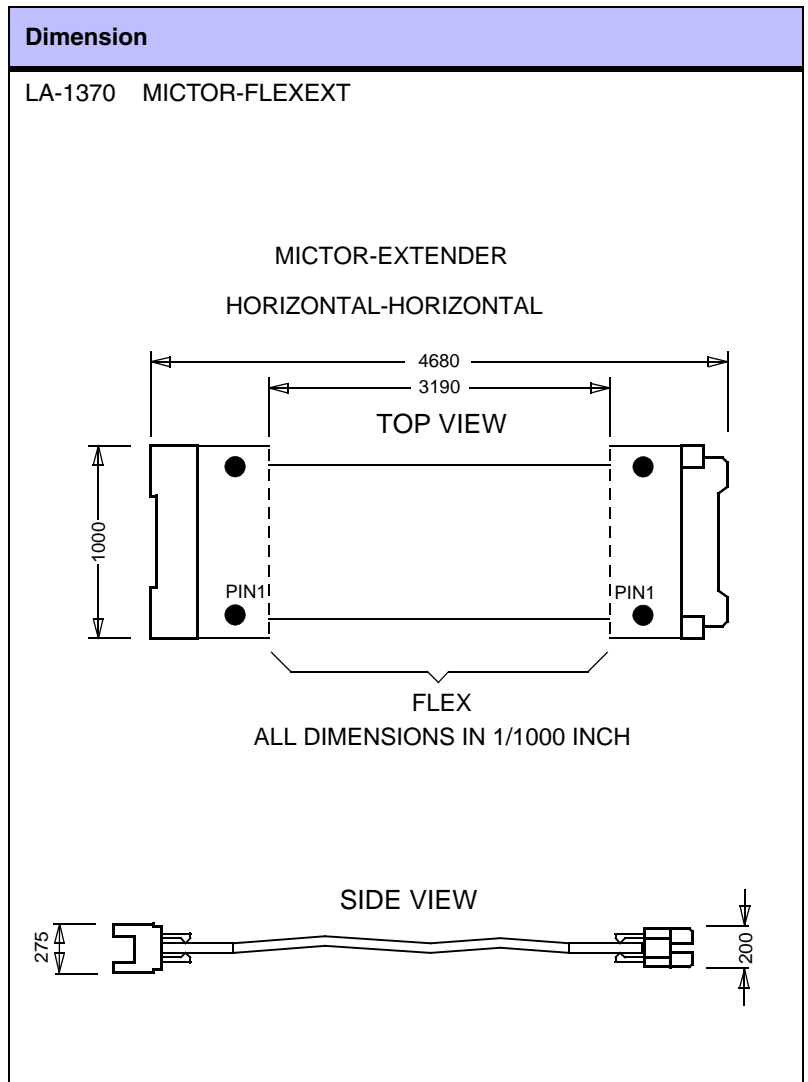






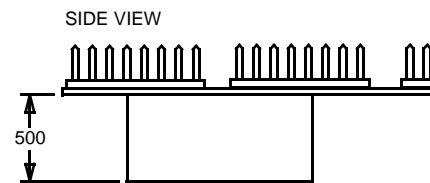
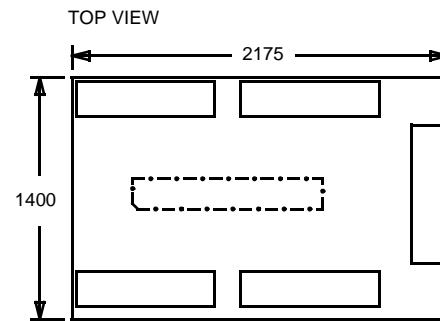






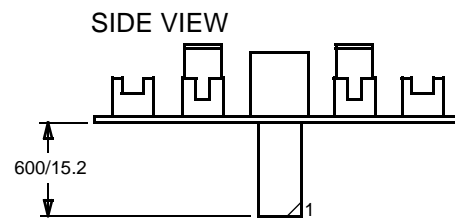
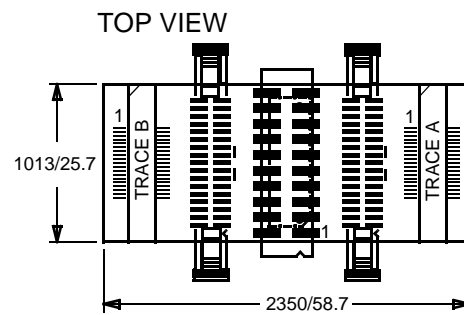
Dimension

LA-7649 CONV-MIC38-2,54MM



ALL DIMENSIONS IN 1/1000 INCH

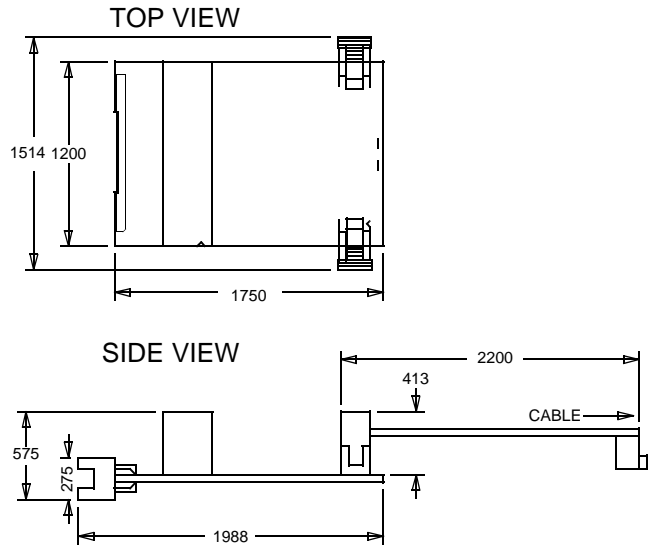
LA-3808 CONV-L8540-MIPI



ALL DIMENSIONS IN 1/1000 INCH / mm

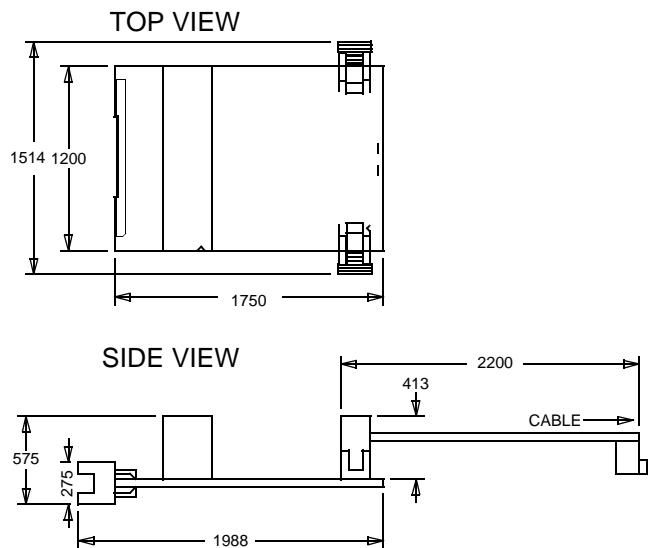
Dimension

LA-3809 CONV-ARM-MIC/MIPI20

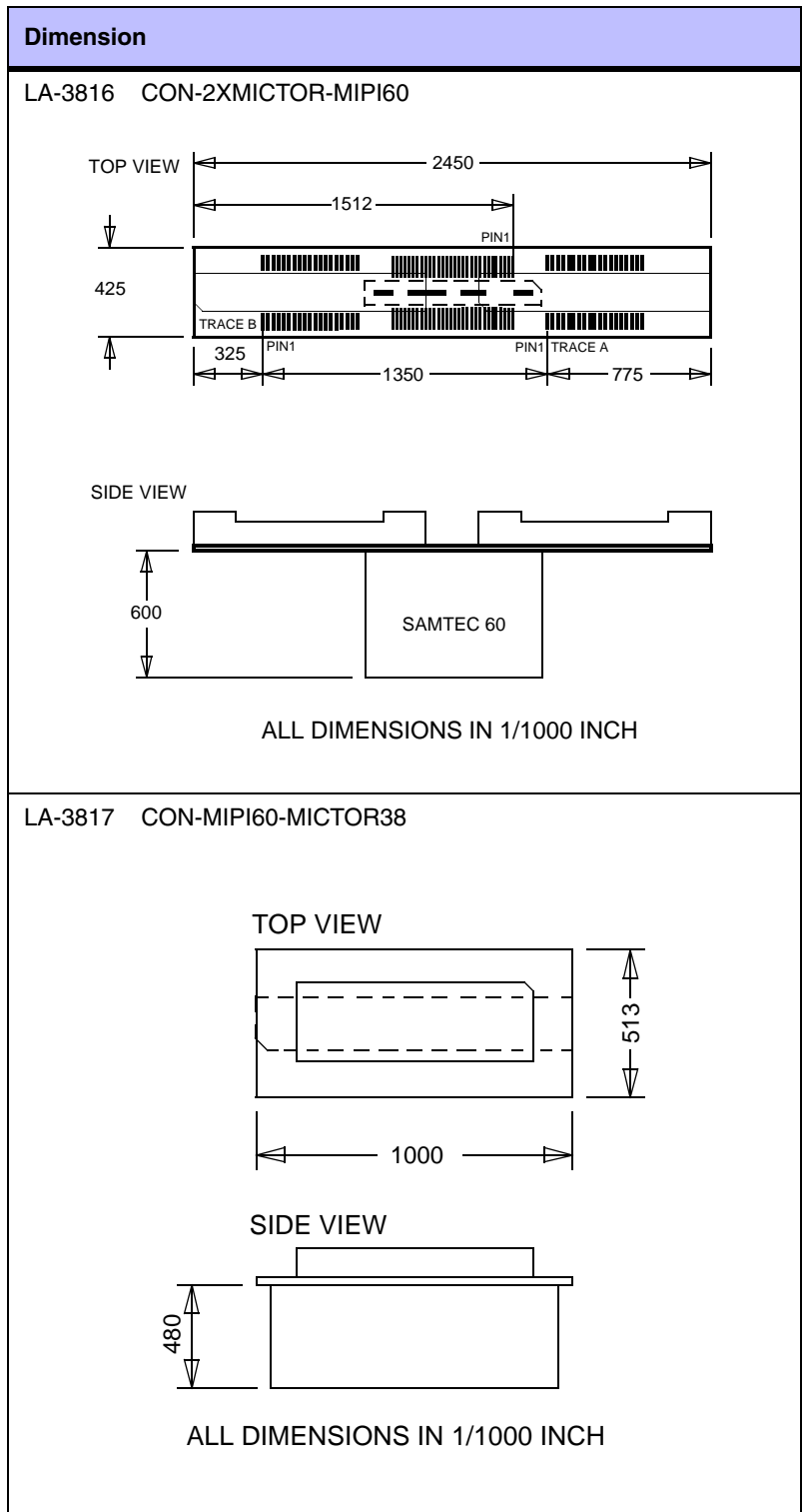


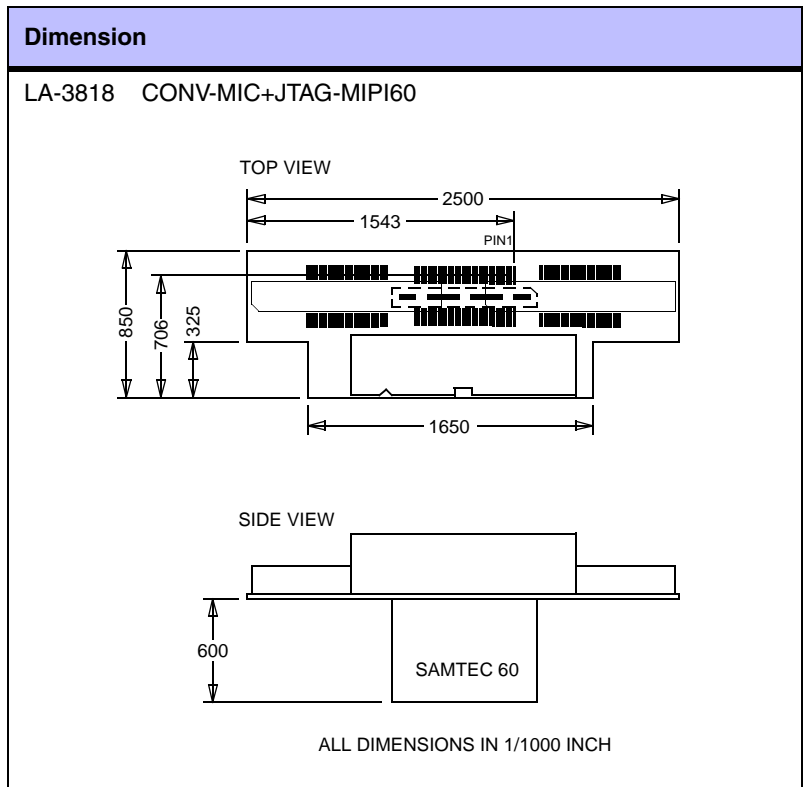
ALL DIMENSIONS IN 1/1000 INCH

LA-3842 CONV-ARM-MIC/MIPI34



ALL DIMENSIONS IN 1/1000 INCH





Operation Voltage and Frequency

Operation Voltage

This list contains information on probes available for other voltage ranges. Probes not noted here supply an operation voltage range from 4.5V to 5.5V.

Adapter	Code	OrderNo	Voltage Range
Preprocessor for ARM-ETM 120	PP-ARM-ETM/120	LA-7889	2.5 .. 3.6 V
Preprocessor for ARM-ETM 200 flex cable	PP-ARM-ETM/200	LA-7921	0.9 .. 3.3 V
Preprocessor for ETM 2-MICTOR 2 flex cables	PP-ARM-ETM-TWO	LA-7923	2.5 .. 3.6 V
Preprocessor for ARM-ETM with AUTOFOCUS Flex	PP-ARM-ETM-AF	LA-7991	1.8 .. 3.3 V
Preproc. for ARM-ETM/AUTOFOCUS II 600 Flex	PP-ARM-ETM-AF-2	LA-7992	1.8 .. 3.3 V
Trace License for ARM-ETM AUTOFOCUS II	PP-ARM-ETM-AF-2-ADD	LA-7992A	1.8 .. 3.3 V
Preproc. for ARM-ETM/AUTOFOCUS 600 MIPI	PP-ARM-ETM-AF-MIPI	LA-7993	1.8 .. 3.3 V

Operation Frequency

The maximum operation frequency of TRACE32-RISC Trace or PowerTrace depends on:

- The max. frequency of the CPU
- The number of waitstates (bus trace)
- The divide factor between trace clock and core clock
- The speed of the trace adapter

Module	CPU	TRACE
LA-7921	CDC3207G	200.0 MHz
LA-7921	CDC3272G	200.0 MHz
LA-7921	ERTEC200	200.0 MHz
LA-7921	ERTEC400	200.0 MHz
LA-7921	LPC2101	200.0 MHz
LA-7921	LPC2102	200.0 MHz
LA-7921	LPC2103	200.0 MHz
LA-7921	LPC2104	200.0 MHz
LA-7921	LPC2105	200.0 MHz
LA-7921	LPC2106	200.0 MHz

Module	CPU	TRACE
LA-7921	LPC2109	200.0 MHz
LA-7921	LPC2112	200.0 MHz
LA-7921	LPC2114	200.0 MHz
LA-7921	LPC2119	200.0 MHz
LA-7921	LPC2124	200.0 MHz
LA-7921	LPC2129	200.0 MHz
LA-7921	LPC2131	200.0 MHz
LA-7921	LPC2131/01	200.0 MHz
LA-7921	LPC2132	200.0 MHz
LA-7921	LPC2132/01	200.0 MHz
LA-7921	LPC2134	200.0 MHz
LA-7921	LPC2134/01	200.0 MHz
LA-7921	LPC2136	200.0 MHz
LA-7921	LPC2136/01	200.0 MHz
LA-7921	LPC2138	200.0 MHz
LA-7921	LPC2138/01	200.0 MHz
LA-7921	LPC2141	200.0 MHz
LA-7921	LPC2142	200.0 MHz
LA-7921	LPC2144	200.0 MHz
LA-7921	LPC2146	200.0 MHz
LA-7921	LPC2148	200.0 MHz
LA-7921	LPC2194	200.0 MHz
LA-7921	LPC2210	200.0 MHz
LA-7921	LPC2212	200.0 MHz
LA-7921	LPC2214	200.0 MHz
LA-7921	LPC2220	200.0 MHz
LA-7921	LPC2290	200.0 MHz
LA-7921	LPC2292	200.0 MHz
LA-7921	LPC2294	200.0 MHz
LA-7921	LPC2364	200.0 MHz
LA-7921	LPC2365	200.0 MHz
LA-7921	LPC2366	200.0 MHz
LA-7921	LPC2367	200.0 MHz
LA-7921	LPC2368	200.0 MHz
LA-7921	LPC2377	200.0 MHz
LA-7921	LPC2378	200.0 MHz
LA-7921	LPC2387	200.0 MHz
LA-7921	LPC2388	200.0 MHz
LA-7921	LPC2458	200.0 MHz
LA-7921	LPC2460	200.0 MHz
LA-7921	LPC2468	200.0 MHz
LA-7921	LPC2470	200.0 MHz
LA-7921	LPC2478	200.0 MHz
LA-7921	LPC2880	200.0 MHz
LA-7921	LPC2888	200.0 MHz
LA-7921	PCD80703	96.0 MHz
LA-7921	PCD80705	96.0 MHz
LA-7921	PCD80708	96.0 MHz
LA-7921	PCD80715	96.0 MHz
LA-7921	PCD80716	96.0 MHz

Module	CPU	TRACE
LA-7921	PCD80718	96.0 MHz
LA-7921	PCD80720	96.0 MHz
LA-7921	PCD80721	96.0 MHz
LA-7921	PCD80725	96.0 MHz
LA-7921	PCD80727	96.0 MHz
LA-7921	PCD80728	96.0 MHz
LA-7921	ST30F7XXA	200.0 MHz
LA-7921	ST30F7XXC	200.0 MHz
LA-7921	ST30F7XXZ	200.0 MHz
LA-7921	STR720	200.0 MHz
LA-7921	STR910FAM32	96.0 MHz
LA-7921	STR910FAW32	96.0 MHz
LA-7921	STR910FAZ32	96.0 MHz
LA-7921	STR911FAM42	96.0 MHz
LA-7921	STR911FAM44	96.0 MHz
LA-7921	STR911FAM46	96.0 MHz
LA-7921	STR911FAM47	96.0 MHz
LA-7921	STR911FAW42	96.0 MHz
LA-7921	STR911FAW44	96.0 MHz
LA-7921	STR911FAW46	96.0 MHz
LA-7921	STR911FAW47	96.0 MHz
LA-7921	STR912FAW42	96.0 MHz
LA-7921	STR912FAW44	96.0 MHz
LA-7921	STR912FAW46	96.0 MHz
LA-7921	STR912FAW47	96.0 MHz
LA-7921	STR912FAZ42	96.0 MHz
LA-7921	STR912FAZ44	96.0 MHz
LA-7921	STR912FAZ46	96.0 MHz
LA-7921	STR912FAZ47	96.0 MHz
LA-7992	88FR101	175.0 MHz
LA-7992	88FR102	175.0 MHz
LA-7992	88FR111	175.0 MHz
LA-7992	88FR301	175.0 MHz
LA-7992	A9500	600.0 MHz
LA-7992	A9540	600.0 MHz
LA-7992	AM3505	600.0 MHz
LA-7992	AM3517	600.0 MHz
LA-7992	AM3703	600.0 MHz
LA-7992	AM3715	600.0 MHz
LA-7992	ARM1020E	600.0 MHz
LA-7992	ARM1022E	600.0 MHz
LA-7992	ARM1026EJ-S	600.0 MHz
LA-7992	ARM1136J-S	600.0 MHz
LA-7992	ARM1136JF-S	600.0 MHz
LA-7992	ARM1156T2-S	600.0 MHz
LA-7992	ARM1156T2F-S	600.0 MHz
LA-7992	ARM1176JZ-S	600.0 MHz
LA-7992	ARM1176JZF-S	600.0 MHz
LA-7992	ARM11MPCORE	600.0 MHz
LA-7992	ARM710T	600.0 MHz

Module	CPU	TRACE
LA-7992	ARM720T	600.0 MHz
LA-7992	ARM740T	600.0 MHz
LA-7992	ARM7DI	600.0 MHz
LA-7992	ARM7EJ-S	600.0 MHz
LA-7992	ARM7TDMI	600.0 MHz
LA-7992	ARM7TDMI-S	600.0 MHz
LA-7992	ARM915T	600.0 MHz
LA-7992	ARM920T	600.0 MHz
LA-7992	ARM922T	600.0 MHz
LA-7992	ARM926EJ-S	600.0 MHz
LA-7992	ARM940T	600.0 MHz
LA-7992	ARM946E-S	600.0 MHz
LA-7992	ARM966E-S	600.0 MHz
LA-7992	ARM968E-S	600.0 MHz
LA-7992	ARM9E-S	600.0 MHz
LA-7992	ARM9EJ-S	600.0 MHz
LA-7992	ARM9TDMI	600.0 MHz
LA-7992	AT91RM9200	600.0 MHz
LA-7992	AT91SAM9261	600.0 MHz
LA-7992	AT91SAM9263	600.0 MHz
LA-7992	CORTEX-A15	600.0 MHz
LA-7992	CORTEX-A15MPCORE	600.0 MHz
LA-7992	CORTEX-A5	600.0 MHz
LA-7992	CORTEX-A5MPCORE	600.0 MHz
LA-7992	CORTEX-A7	600.0 MHz
LA-7992	CORTEX-A7MPCORE	600.0 MHz
LA-7992	CORTEX-A8	600.0 MHz
LA-7992	CORTEX-A9	600.0 MHz
LA-7992	CORTEX-A9MPCORE	600.0 MHz
LA-7992	CORTEX-R4	600.0 MHz
LA-7992	CORTEX-R4F	600.0 MHz
LA-7992	CORTEX-R5	600.0 MHz
LA-7992	CORTEX-R5F	600.0 MHz
LA-7992	CORTEX-R5MPCORE	600.0 MHz
LA-7992	CS7522	600.0 MHz
LA-7992	CS7542	600.0 MHz
LA-7992	CYCLONEVSOC	600.0 MHz
LA-7992	DB5500	600.0 MHz
LA-7992	DB8500	600.0 MHz
LA-7992	DB8540	600.0 MHz
LA-7992	EPXA1	600.0 MHz
LA-7992	EPXA10	600.0 MHz
LA-7992	EPXA4	600.0 MHz
LA-7992	EXYNOS4212	600.0 MHz
LA-7992	EXYNOS4412	600.0 MHz
LA-7992	EXYNOS5250	600.0 MHz
LA-7992	IMX280	600.0 MHz
LA-7992	IMX281	600.0 MHz
LA-7992	IMX283	600.0 MHz
LA-7992	IMX285	600.0 MHz

Module	CPU	TRACE
LA-7992	IMX286	600.0 MHz
LA-7992	IMX287	600.0 MHz
LA-7992	IMX502	600.0 MHz
LA-7992	IMX503	600.0 MHz
LA-7992	IMX507	600.0 MHz
LA-7992	IMX508	600.0 MHz
LA-7992	IMX512	600.0 MHz
LA-7992	IMX513	600.0 MHz
LA-7992	IMX514	600.0 MHz
LA-7992	IMX515	600.0 MHz
LA-7992	IMX516	600.0 MHz
LA-7992	IMX534	600.0 MHz
LA-7992	IMX535	600.0 MHz
LA-7992	IMX536	600.0 MHz
LA-7992	IMX537	600.0 MHz
LA-7992	IMX538	600.0 MHz
LA-7992	IMX6DUAL	600.0 MHz
LA-7992	IMX6QUAD	600.0 MHz
LA-7992	IMX6SOLO	600.0 MHz
LA-7992	KRAIT	600.0 MHz
LA-7992	M7400	600.0 MHz
LA-7992	MB9DF125	600.0 MHz
LA-7992	MB9DF126	600.0 MHz
LA-7992	MB9EF126	600.0 MHz
LA-7992	MC9328MX1	600.0 MHz
LA-7992	MC9328MXL	600.0 MHz
LA-7992	MC9328MXS	600.0 MHz
LA-7992	MCIMX23	600.0 MHz
LA-7992	MCIMX25	600.0 MHz
LA-7992	MCIMX27	600.0 MHz
LA-7992	MCIMX27L	600.0 MHz
LA-7992	MCIMX31	600.0 MHz
LA-7992	MCIMX35	600.0 MHz
LA-7992	MCIMX351	600.0 MHz
LA-7992	MCIMX353	600.0 MHz
LA-7992	MCIMX355	600.0 MHz
LA-7992	MCIMX356	600.0 MHz
LA-7992	MCIMX357	600.0 MHz
LA-7992	MCIMX37	600.0 MHz
LA-7992	MSM6100_3G	600.0 MHz
LA-7992	MSM6250	600.0 MHz
LA-7992	MSM6300	600.0 MHz
LA-7992	MSM6500	600.0 MHz
LA-7992	MXC91231	400.0 MHz
LA-7992	MXC91321	400.0 MHz
LA-7992	MXC91323	400.0 MHz
LA-7992	MXC91331	400.0 MHz
LA-7992	NETX100	200.0 MHz
LA-7992	NETX50	200.0 MHz
LA-7992	NETX500	200.0 MHz

Module	CPU	TRACE
LA-7992	NETX51	200.0 MHz
LA-7992	OMAP1510	600.0 MHz
LA-7992	OMAP1610	600.0 MHz
LA-7992	OMAP1611	600.0 MHz
LA-7992	OMAP1612	600.0 MHz
LA-7992	OMAP1710	600.0 MHz
LA-7992	OMAP2420	600.0 MHz
LA-7992	OMAP2430	600.0 MHz
LA-7992	OMAP2431	600.0 MHz
LA-7992	OMAP310	600.0 MHz
LA-7992	OMAP331	600.0 MHz
LA-7992	OMAP3410	600.0 MHz
LA-7992	OMAP3420	600.0 MHz
LA-7992	OMAP3430	600.0 MHz
LA-7992	OMAP3440	600.0 MHz
LA-7992	OMAP3503	600.0 MHz
LA-7992	OMAP3515	600.0 MHz
LA-7992	OMAP3525	600.0 MHz
LA-7992	OMAP3530	600.0 MHz
LA-7992	OMAP3610	600.0 MHz
LA-7992	OMAP3620	600.0 MHz
LA-7992	OMAP3630	600.0 MHz
LA-7992	OMAP3640	600.0 MHz
LA-7992	OMAP4430	600.0 MHz
LA-7992	OMAP4460	600.0 MHz
LA-7992	OMAP4470	600.0 MHz
LA-7992	OMAP5430	600.0 MHz
LA-7992	OMAP5432	600.0 MHz
LA-7992	OMAP5910	600.0 MHz
LA-7992	OMAP5912	600.0 MHz
LA-7992	OMAP710	600.0 MHz
LA-7992	OMAP730	600.0 MHz
LA-7992	OMAP732	600.0 MHz
LA-7992	OMAP733	600.0 MHz
LA-7992	OMAP750	600.0 MHz
LA-7992	OMAP850	600.0 MHz
LA-7992	OMAPV1030	600.0 MHz
LA-7992	OMAPV1035	600.0 MHz
LA-7992	OMAPV2230	600.0 MHz
LA-7992	PMB8870	600.0 MHz
LA-7992	PMB8875	600.0 MHz
LA-7992	PMB8876	600.0 MHz
LA-7992	PMB8877	600.0 MHz
LA-7992	PMB8878	600.0 MHz
LA-7992	PMB8888	600.0 MHz
LA-7992	QSD8250	600.0 MHz
LA-7992	QSD8650	600.0 MHz
LA-7992	RM48L530-ZWT	600.0 MHz
LA-7992	RM48L540-ZWT	600.0 MHz
LA-7992	RM48L550-ZWT	600.0 MHz

Module	CPU	TRACE
LA-7992	RM48L730-ZWT	600.0 MHz
LA-7992	RM48L740-ZWT	600.0 MHz
LA-7992	RM48L750-ZWT	600.0 MHz
LA-7992	RM48L930-ZWT	600.0 MHz
LA-7992	RM48L940-ZWT	600.0 MHz
LA-7992	RM48L950-ZWT	600.0 MHz
LA-7992	RM48L952-ZWT	600.0 MHz
LA-7992	S5PV310	600.0 MHz
LA-7992	SC200	600.0 MHz
LA-7992	SC210	600.0 MHz
LA-7992	SCORPION	600.0 MHz
LA-7992	SP2704	600.0 MHz
LA-7992	SP2716	600.0 MHz
LA-7992	SPEAR1300	600.0 MHz
LA-7992	SPEAR1310	600.0 MHz
LA-7992	SPEAR1340	600.0 MHz
LA-7992	SPEAR300	600.0 MHz
LA-7992	SPEAR310	600.0 MHz
LA-7992	SPEAR320	600.0 MHz
LA-7992	SPEAR320S	600.0 MHz
LA-7992	SPEAR600	600.0 MHz
LA-7992	STA2064	600.0 MHz
LA-7992	STA2065	600.0 MHz
LA-7992	STA2164	600.0 MHz
LA-7992	STA2165	600.0 MHz
LA-7992	STN8810	600.0 MHz
LA-7992	STN8815	600.0 MHz
LA-7992	STN8820	600.0 MHz
LA-7992	TMS320DM3725	600.0 MHz
LA-7992	TMS320DM3730	600.0 MHz
LA-7992	TMS470MF031	600.0 MHz
LA-7992	TMS470MF042	600.0 MHz
LA-7992	TMS470MF066	600.0 MHz
LA-7992	TMS470MSF541	600.0 MHz
LA-7992	TMS470MSF542	600.0 MHz
LA-7992	TMS570LS10106-ZWT	600.0 MHz
LA-7992	TMS570LS10116-ZWT	600.0 MHz
LA-7992	TMS570LS10206-ZWT	600.0 MHz
LA-7992	TMS570LS10216-ZWT	600.0 MHz
LA-7992	TMS570LS1114-ZWT	600.0 MHz
LA-7992	TMS570LS1115-ZWT	600.0 MHz
LA-7992	TMS570LS1224-ZWT	600.0 MHz
LA-7992	TMS570LS1225-ZWT	600.0 MHz
LA-7992	TMS570LS1227-ZWT	600.0 MHz
LA-7992	TMS570LS20206-ZWT	600.0 MHz
LA-7992	TMS570LS20216-ZWT	600.0 MHz
LA-7992	TMS570LS2124-ZWT	600.0 MHz
LA-7992	TMS570LS2125-ZWT	600.0 MHz
LA-7992	TMS570LS2134-ZWT	600.0 MHz
LA-7992	TMS570LS2135-ZWT	600.0 MHz

Module	CPU	TRACE
LA-7992	TMS570LS3134-ZWT	600.0 MHz
LA-7992	TMS570LS3135-ZWT	600.0 MHz
LA-7992	TMS570LS3137-ZWT	600.0 MHz
LA-7992	VF11xR	600.0 MHz
LA-7992	VF12xR	600.0 MHz
LA-7992	VF31xR	600.0 MHz
LA-7992	VF32xR	600.0 MHz
LA-7992	VF3xx	600.0 MHz
LA-7992	VF4xx	600.0 MHz
LA-7992	VF51xR	600.0 MHz
LA-7992	VF52xR	600.0 MHz
LA-7992	VF5xx	600.0 MHz
LA-7992	VF6xx	600.0 MHz
LA-7992	VF7xx	600.0 MHz
LA-7992	ZYNQ7000	600.0 MHz

Supported Devices

CPU	ICE	FIRE	ICD DEBUG	ICD MONITOR	ICD TRACE	POWER INTEGRATOR	INSTRUCTION SIMULATOR
88FR101			YES	YES	YES		YES
88FR102			YES	YES	YES		YES
88FR111			YES	YES	YES		YES
88FR301			YES	YES	YES		YES
A9500			YES	YES	YES		YES
A9540			YES	YES	YES		YES
AM3505			YES	YES	YES		YES
AM3517			YES	YES	YES		YES
AM3703			YES	YES	YES		YES
AM3715			YES	YES	YES		YES
ARM1020E			YES	YES	YES		YES
ARM1022E			YES	YES	YES		YES
ARM1026EJ-S			YES	YES	YES		YES
ARM1136J-S			YES	YES	YES		YES
ARM1136JF-S			YES	YES	YES		YES
ARM1156T2-S			YES	YES	YES		YES
ARM1156T2F-S			YES	YES	YES		YES
ARM1176JZ-S			YES	YES	YES		YES
ARM1176JZF-S			YES	YES	YES		YES
ARM11MPCORE			YES	YES	YES		YES
ARM710T			YES	YES	YES		YES
ARM720T			YES	YES	YES		YES
ARM740T			YES	YES	YES		YES
ARM7DI			YES	YES	YES		YES
ARM7EJ-S			YES	YES	YES		YES
ARM7TDMI		YES	YES	YES	YES		YES
ARM7TDMI-S			YES	YES	YES		YES
ARM915T			YES	YES	YES		YES
ARM920T			YES	YES	YES		YES
ARM922T			YES	YES	YES		YES
ARM926EJ-S			YES	YES	YES		YES
ARM940T			YES	YES	YES		YES
ARM946E-S			YES	YES	YES		YES
ARM966E-S			YES	YES	YES		YES
ARM968E-S			YES	YES	YES		YES
ARM9E-S			YES	YES	YES		YES
ARM9EJ-S			YES	YES	YES		YES

CPU	ICE	FIRE	ICD DEBUG	ICD MONITOR	ICD TRACE	POWER INTEGRATOR	INSTRUCTION SIMULATOR
ARM9TDMI			YES	YES	YES		YES
AT91RM9200			YES	YES	YES		YES
AT91SAM9261			YES	YES	YES		YES
AT91SAM9263			YES	YES	YES		YES
CDC3207G			YES	YES	YES		YES
CDC3272G			YES	YES	YES		YES
CORTEX-A15			YES	YES	YES		YES
CORTEX-A15MPCORE			YES	YES	YES		YES
CORTEX-A5			YES	YES	YES		YES
CORTEX-A5MPCORE			YES	YES	YES		YES
CORTEX-A7			YES	YES	YES		YES
CORTEX-A7MPCORE			YES	YES	YES		YES
CORTEX-A8			YES	YES	YES		YES
CORTEX-A9			YES	YES	YES		YES
CORTEX-A9MPCORE			YES	YES	YES		YES
CORTEX-R4			YES	YES	YES		YES
CORTEX-R4F			YES	YES	YES		YES
CORTEX-R5			YES	YES	YES		YES
CORTEX-R5F			YES	YES	YES		YES
CORTEX-R5MPCORE			YES	YES	YES		YES
CS7522			YES	YES	YES		YES
CS7542			YES	YES	YES		YES
CYCLONEVSOC			YES	YES	YES		YES
DB5500			YES	YES	YES		YES
DB8500			YES	YES	YES		YES
DB8540			YES	YES	YES		YES
EPXA1			YES	YES	YES		YES
EPXA10			YES	YES	YES		YES
EPXA4			YES	YES	YES		YES
ERTEC200			YES	YES	YES		YES
ERTEC400			YES	YES	YES		YES
EXYNOS4212			YES	YES	YES		YES
EXYNOS4412			YES	YES	YES		YES
EXYNOS5250			YES	YES	YES		YES
IMX280			YES	YES	YES		YES
IMX281			YES	YES	YES		YES
IMX283			YES	YES	YES		YES
IMX285			YES	YES	YES		YES
IMX286			YES	YES	YES		YES
IMX287			YES	YES	YES		YES
IMX502			YES	YES	YES		YES
IMX503			YES	YES	YES		YES

CPU	ICE	FIRE	ICD DEBUG	ICD MONITOR	ICD TRACE	POWER INTEGRATOR	INSTRUCTION SIMULATOR
IMX507			YES	YES	YES		YES
IMX508			YES	YES	YES		YES
IMX512			YES	YES	YES		YES
IMX513			YES	YES	YES		YES
IMX514			YES	YES	YES		YES
IMX515			YES	YES	YES		YES
IMX516			YES	YES	YES		YES
IMX534			YES	YES	YES		YES
IMX535			YES	YES	YES		YES
IMX536			YES	YES	YES		YES
IMX537			YES	YES	YES		YES
IMX538			YES	YES	YES		YES
IMX6DUAL			YES	YES	YES		YES
IMX6QUAD			YES	YES	YES		YES
IMX6SOLO			YES	YES	YES		YES
KRAIT			YES	YES	YES		YES
LPC2101			YES	YES	YES		YES
LPC2102			YES	YES	YES		YES
LPC2103			YES	YES	YES		YES
LPC2104			YES	YES	YES		YES
LPC2105			YES	YES	YES		YES
LPC2106			YES	YES	YES		YES
LPC2109			YES	YES	YES		YES
LPC2112			YES	YES	YES		YES
LPC2114			YES	YES	YES		YES
LPC2119			YES	YES	YES		YES
LPC2124			YES	YES	YES		YES
LPC2129			YES	YES	YES		YES
LPC2131			YES	YES	YES		YES
LPC2131/01			YES	YES	YES		YES
LPC2132			YES	YES	YES		YES
LPC2132/01			YES	YES	YES		YES
LPC2134			YES	YES	YES		YES
LPC2134/01			YES	YES	YES		YES
LPC2136			YES	YES	YES		YES
LPC2136/01			YES	YES	YES		YES
LPC2138			YES	YES	YES		YES
LPC2138/01			YES	YES	YES		YES
LPC2141			YES	YES	YES		YES
LPC2142			YES	YES	YES		YES
LPC2144			YES	YES	YES		YES
LPC2146			YES	YES	YES		YES

CPU	ICE	FIRE	ICD DEBUG	ICD MONITOR	ICD TRACE	POWER INTEGRATOR	INSTRUCTION SIMULATOR
LPC2148			YES	YES	YES		YES
LPC2194			YES	YES	YES		YES
LPC2210			YES	YES	YES		YES
LPC2212			YES	YES	YES		YES
LPC2214			YES	YES	YES		YES
LPC2220			YES	YES	YES		YES
LPC2290			YES	YES	YES		YES
LPC2292			YES	YES	YES		YES
LPC2294			YES	YES	YES		YES
LPC2364			YES	YES	YES		YES
LPC2365			YES	YES	YES		YES
LPC2366			YES	YES	YES		YES
LPC2367			YES	YES	YES		YES
LPC2368			YES	YES	YES		YES
LPC2377			YES	YES	YES		YES
LPC2378			YES	YES	YES		YES
LPC2387			YES	YES	YES		YES
LPC2388			YES	YES	YES		YES
LPC2458			YES	YES	YES		YES
LPC2460			YES	YES	YES		YES
LPC2468			YES	YES	YES		YES
LPC2470			YES	YES	YES		YES
LPC2478			YES	YES	YES		YES
LPC2880			YES	YES	YES		YES
LPC2888			YES	YES	YES		YES
M7400			YES	YES	YES		YES
MB9DF125			YES	YES	YES		YES
MB9DF126			YES	YES	YES		YES
MB9EF126			YES	YES	YES		YES
MC9328MX1			YES	YES	YES		YES
MC9328MXL			YES	YES	YES		YES
MC9328MXS			YES	YES	YES		YES
MCIMX23			YES	YES	YES		YES
MCIMX25			YES	YES	YES		YES
MCIMX27			YES	YES	YES		YES
MCIMX27L			YES	YES	YES		YES
MCIMX31			YES	YES	YES		YES
MCIMX35			YES	YES	YES		YES
MCIMX351			YES	YES	YES		YES
MCIMX353			YES	YES	YES		YES
MCIMX355			YES	YES	YES		YES
MCIMX356			YES	YES	YES		YES

CPU	ICE	FIRE	ICD DEBUG	ICD MONITOR	ICD TRACE	POWER INTEGRATOR	INSTRUCTION SIMULATOR
MCIMX357			YES	YES	YES		YES
MCIMX37			YES	YES	YES		YES
MSM6100 3G			YES	YES	YES		YES
MSM6250			YES	YES	YES		YES
MSM6300			YES	YES	YES		YES
MSM6500			YES	YES	YES		YES
MXC91231			YES	YES	YES		YES
MXC91321			YES	YES	YES		YES
MXC91323			YES	YES	YES		YES
MXC91331			YES	YES	YES		YES
NETX100			YES	YES	YES		YES
NETX50			YES	YES	YES		YES
NETX500			YES	YES	YES		YES
NETX51			YES	YES	YES		YES
OMAP1510			YES	YES	YES		YES
OMAP1610			YES	YES	YES		YES
OMAP1611			YES	YES	YES		YES
OMAP1612			YES	YES	YES		YES
OMAP1710			YES	YES	YES		YES
OMAP2420			YES	YES	YES		YES
OMAP2430			YES	YES	YES		YES
OMAP2431			YES	YES	YES		YES
OMAP310			YES	YES	YES		YES
OMAP331			YES	YES	YES		YES
OMAP3410			YES	YES	YES		YES
OMAP3420			YES	YES	YES		YES
OMAP3430			YES	YES	YES		YES
OMAP3440			YES	YES	YES		YES
OMAP3503			YES	YES	YES		YES
OMAP3515			YES	YES	YES		YES
OMAP3525			YES	YES	YES		YES
OMAP3530			YES	YES	YES		YES
OMAP3610			YES	YES	YES		YES
OMAP3620			YES	YES	YES		YES
OMAP3630			YES	YES	YES		YES
OMAP3640			YES	YES	YES		YES
OMAP4430			YES	YES	YES		YES
OMAP4460			YES	YES	YES		YES
OMAP4470			YES	YES	YES		YES
OMAP5430			YES	YES	YES		YES
OMAP5432			YES	YES	YES		YES
OMAP5910			YES	YES	YES		YES

CPU	ICE	FIRE	ICD DEBUG	ICD MONITOR	ICD TRACE	POWER INTEGRATOR	INSTRUCTION SIMULATOR
OMAP5912			YES	YES	YES		YES
OMAP710			YES	YES	YES		YES
OMAP730			YES	YES	YES		YES
OMAP732			YES	YES	YES		YES
OMAP733			YES	YES	YES		YES
OMAP750			YES	YES	YES		YES
OMAP850			YES	YES	YES		YES
OMAPV1030			YES	YES	YES		YES
OMAPV1035			YES	YES	YES		YES
OMAPV2230			YES	YES	YES		YES
PCD80703			YES	YES	YES		YES
PCD80705			YES	YES	YES		YES
PCD80708			YES	YES	YES		YES
PCD80715			YES	YES	YES		YES
PCD80716			YES	YES	YES		YES
PCD80718			YES	YES	YES		YES
PCD80720			YES	YES	YES		YES
PCD80721			YES	YES	YES		YES
PCD80725			YES	YES	YES		YES
PCD80727			YES	YES	YES		YES
PCD80728			YES	YES	YES		YES
PMB8870			YES	YES	YES		YES
PMB8875			YES	YES	YES		YES
PMB8876			YES	YES	YES		YES
PMB8877			YES	YES	YES		YES
PMB8878			YES	YES	YES		YES
PMB8888			YES	YES	YES		YES
QSD8250			YES	YES	YES		YES
QSD8650			YES	YES	YES		YES
RM48L530-ZWT			YES	YES	YES		YES
RM48L540-ZWT			YES	YES	YES		YES
RM48L550-ZWT			YES	YES	YES		YES
RM48L730-ZWT			YES	YES	YES		YES
RM48L740-ZWT			YES	YES	YES		YES
RM48L750-ZWT			YES	YES	YES		YES
RM48L930-ZWT			YES	YES	YES		YES
RM48L940-ZWT			YES	YES	YES		YES
RM48L950-ZWT			YES	YES	YES		YES
RM48L952-ZWT			YES	YES	YES		YES
S5PV310			YES	YES	YES		YES
SC200			YES	YES	YES		YES
SC210			YES	YES	YES		YES

CPU	ICE	FIRE	ICD DEBUG	ICD MONITOR	ICD TRACE	POWER INTEGRATOR	INSTRUCTION SIMULATOR
SCORPION			YES	YES	YES		YES
SP2704			YES	YES	YES		YES
SP2716			YES	YES	YES		YES
SPEAR1300			YES	YES	YES		YES
SPEAR1310			YES	YES	YES		YES
SPEAR1340			YES	YES	YES		YES
SPEAR300			YES	YES	YES		YES
SPEAR310			YES	YES	YES		YES
SPEAR320			YES	YES	YES		YES
SPEAR320S			YES	YES	YES		YES
SPEAR600			YES	YES	YES		YES
ST30F7XXA			YES	YES	YES		YES
ST30F7XXC			YES	YES	YES		YES
ST30F7XXZ			YES	YES	YES		YES
STA2064			YES	YES	YES		YES
STA2065			YES	YES	YES		YES
STA2164			YES	YES	YES		YES
STA2165			YES	YES	YES		YES
STN8810			YES	YES	YES		YES
STN8815			YES	YES	YES		YES
STN8820			YES	YES	YES		YES
STR720			YES	YES	YES		YES
STR910FAM32			YES	YES	YES		YES
STR910FAW32			YES	YES	YES		YES
STR910FAZ32			YES	YES	YES		YES
STR911FAM42			YES	YES	YES		YES
STR911FAM44			YES	YES	YES		YES
STR911FAM46			YES	YES	YES		YES
STR911FAM47			YES	YES	YES		YES
STR911FAW42			YES	YES	YES		YES
STR911FAW44			YES	YES	YES		YES
STR911FAW46			YES	YES	YES		YES
STR911FAW47			YES	YES	YES		YES
STR912FAW42			YES	YES	YES		YES
STR912FAW44			YES	YES	YES		YES
STR912FAW46			YES	YES	YES		YES
STR912FAW47			YES	YES	YES		YES
STR912FAZ42			YES	YES	YES		YES
STR912FAZ44			YES	YES	YES		YES
STR912FAZ46			YES	YES	YES		YES
STR912FAZ47			YES	YES	YES		YES
TMS320DM3725			YES	YES	YES		YES

CPU	ICE	FIRE	ICD DEBUG	ICD MONITOR	ICD TRACE	POWER INTEGRATOR	INSTRUCTION SIMULATOR
TMS320DM3730			YES	YES	YES		YES
TMS470MF031			YES	YES	YES		YES
TMS470MF042			YES	YES	YES		YES
TMS470MF066			YES	YES	YES		YES
TMS470MSF541			YES	YES	YES		YES
TMS470MSF542			YES	YES	YES		YES
TMS570LS10106-ZWT			YES	YES	YES		YES
TMS570LS10116-ZWT			YES	YES	YES		YES
TMS570LS10206-ZWT			YES	YES	YES		YES
TMS570LS10216-ZWT			YES	YES	YES		YES
TMS570LS1114-ZWT			YES	YES	YES		YES
TMS570LS1115-ZWT			YES	YES	YES		YES
TMS570LS1224-ZWT			YES	YES	YES		YES
TMS570LS1225-ZWT			YES	YES	YES		YES
TMS570LS1227-ZWT			YES	YES	YES		YES
TMS570LS20206-ZWT			YES	YES	YES		YES
TMS570LS20216-ZWT			YES	YES	YES		YES
TMS570LS2124-ZWT			YES	YES	YES		YES
TMS570LS2125-ZWT			YES	YES	YES		YES
TMS570LS2134-ZWT			YES	YES	YES		YES
TMS570LS2135-ZWT			YES	YES	YES		YES
TMS570LS3134-ZWT			YES	YES	YES		YES
TMS570LS3135-ZWT			YES	YES	YES		YES
TMS570LS3137-ZWT			YES	YES	YES		YES
VF11XR			YES	YES	YES		YES
VF12XR			YES	YES	YES		YES
VF31XR			YES	YES	YES		YES
VF32XR			YES	YES	YES		YES
VF3XX			YES	YES	YES		YES
VF4XX			YES	YES	YES		YES
VF51XR			YES	YES	YES		YES
VF52XR			YES	YES	YES		YES
VF5XX			YES	YES	YES		YES
VF6XX			YES	YES	YES		YES
VF7XX			YES	YES	YES		YES
ZYNQ7000			YES	YES	YES		YES

Order Information

Module Description

OrderNo Code	Text
LA-7992 PP-ARM-ETM- AF-2	Preproc. for ARM-ETM/AUTOFOCUS II 600 Flex Preprocessor for ARM7/ARM9/ARM10/ARM11/ Cortex and Cortex-A5x (ARMv8) Connector cable and software, 600 MHz clock speed, 4 x Trace-Depth, Variable threshold level and termination voltage, AUTOFOCUS self calibration technology, Support all ETM modes, with 2 MICTOR connectors, Supports 1.8 to 3.3V - else contact support Requires PowerTrace/Ethernet Version 6 or higher or PowerTrace II
LA-7992A PP-ARM-ETM- AF-2-ADD	Trace License for ARM-ETM AUTOFOCUS II Supports off-chip trace port for ARM7/ARM9/ARM10/ARM11/Cortex and Cortex-A5x (ARMv8) if applied to an AUTOFOCUS II preprocessor Extension applicable to the following preprocessors (purchased separately): for LA-3900 (Preproc. for PPC4XX AUTOFOCUS II) for LA-3901 (Preproc. for MICROBLAZE AUTOFOCUS II) for LA-3902 (Preproc. for SH3/SH4 (AUD) AUTOFOCUS II) for LA-3903 (Preproc. for TMS320C64x+ AUTOFOCUS II) for LA-3904 (Preproc. for TEAKLITE-III AUTOFOCUS II) for LA-3907 (Preproc. for Intel® Atom AUTOF. MIPI) for LA-7995 (Preproc. for TMS320C55x AUTOFOCUS II) for LA-7996 (Preproc. for Ceva-X AUTOFOCUS II) for LA-7999 (Preproc. for StarCore AUTOFOCUS II) please add the serial number of the preprocessor to your order AUTOFOCUS II Preprocessors with serial number C0806xxxxxx and lower have to be send to Lauterbach Germany for an hardware upgrade
LA-7993 PP-ARM-ETM- AF-MIPI	Preproc. for ARM-ETM/AUTOFOCUS 600 MIPI Preprocessor for ARM7/ARM9/ARM10/ARM11/ Cortex and Cortex-A5x (ARMv8) Connector cable and software, 600 MHz clock speed, 4 x Trace-Depth, Variable threshold level and termination voltage, AUTOFOCUS self calibration technology, Support all ETM modes, with SAMTEC60 MIPI connector, Supports 1.8 to 3.3V - else contact support supports up to 4 trace sources (mix of TPIU and STM) Minimum requirement: PowerTrace I Version 6 or higher Recommended: PowerTrace II
LA-7921 PP-ARM-ETM/ 200	Preprocessor for ARM-ETM 200 flex cable Preprocessor for ARM7/ARM9/ARM10/ARM11/Cortex Embedded Trace Macrocell (ETM), Program Trace Macrocell (PTM), connector cable and software, 200 MHz clock speed (200 Mbps), 4 x Trace-Depth, 0.9 to 3.6V support normal mode, 4 bit DeMux mode, normal halfrate mode, Mux mode and 4 bit DeMux halfrate mode support max. 16 bit trace port size Important: 3ns setup time, 1ns hold time needed ETMV3.x Continuous Mode only without idle-filter

OrderNo Code	Text
LA-7991 PP-ARM-ETM- AF	Preprocessor for ARM-ETM with AUTOFOCUS Flex Preprocessor for ARM7/ARM9/ARM10/ARM11/Cortex Embedded Trace Macrocell (ETM), Program Trace Macrocell (PTM), Connector cable and software, 350 MHz clock speed, 4 x Trace-Depth, Variable threshold level and termination voltage, AUTOFOCUS self calibration technology, Support all ETM modes, with 2 MICTOR connectors, Supports 1.8 to 3.3V - else contact support Requires PowerTrace/Ethernet Version 6 or higher or PowerTrace II Support max. 32 bit trace port size for ARM11
LA-7925 DUAL- 2SINGLE-ETM- H	Converter Dual-ETM to 2 single ETMs Horizon. Converter Dual-ETM to 2 single ETMs horizontal for the use with 2 Preprocessor for ARM-ETM Halfrate (LA-7921)
LA-7926 DUAL- 2SINGLE-ETM- V	Converter Dual-ETM to 2 single ETMs Vertical Converter Dual-ETM to 2 single ETMs vertical for the use with 2 Preprocessor for ARM-ETM (LA-7889)
LA-7922 CONVERTER- VOLT-ETM	Converter 5V to 3.3V for ARM-ETM Converter to connect 5V targets to preprocessor for ARM-ETM
LA-3818 CONV- MIC+JTAG- MIPI60	ARM Converter 2x Mictor-38, ARM-20 to MIPI-60 Converter to connect an ARM ETM Preprocessor with one or two Mictor-38 connectors (32-bit ETMv3) and an ARM Debug Cable to a MIPI-60 connector on the target.
LA-3842 CONV-ARM- MIC/MIPI34	Converter Mictor-38/ARM20 to MIPI-34 Converter to connect an ARM Preprocessor with MICTOR-38 and a ARM debug cable with JTAG20 to a 34 pin connector specified by MIPI and CoreSight It allows to use the Preprocessor on the 4 bit wide trace port of the MIPI-34 connector It can be re-configured for MIPI-20
LA-3809 CONV-ARM- MIC/MIPI20	Converter Mictor-38/ARM20 to MIPI-20 Converter to connect an ARM Preprocessor with MICTOR-38 and a ARM debug cable with JTAG20 to a 20 pin connector specified by MIPI and CoreSight It allows to use the Preprocessor on the 4 bit wide trace port of the MIPI-20 connector It can be re-configured for MIPI-34
LA-3816 CON- 2XMICTOR- MIPI60	Converter 2x Mictor-38 to MIPI-60 Converter to connect an ARM Preprocessor to a MIPI-60 on the target. Suitable for up to 16-bit ETMv3. The converter is prepared to support various other configurations because all clock and data signals of the MIPI-60 are connected to the Preprocessor.
LA-3817 CON-MIPI60- MICTOR38	Converter MIPI-60 to Mictor-38 (ETMv3 Pinout) Converter to connect a Preprocessor with MIPI-60 connector to a Mictor-38 connector on the target assuming an ETMv3 pinout up to 16 bit.

OrderNo Code	Text
LA-3880 CONV-ARM+MIPI-2XMICT	Conv. ARM-20 MIPI-60-34 to 2x Mictor-38 Converter to connect an ARM ETM MIPI Preprocessor with MIPI-60 connector and an ARM Debug Cable to two Mictor-38 connectors (32-bit ETMv3) on the target.
LA-3808 CONV-L8540-MIPI	L8540 Conv. 2xMic, 2xMIPI34, ARM20 to MIPI60 Converter to connect an ARM Preprocessor (up to 32-bit ETMv3) and a CombiProbe (STM/STP) to a MIPI-60 connector on the target. This converter is designed for L8540 from ST Ericsson.
LA-3840 CONV-OMAP4430-PANDAB	Trace Converter for OMAP4430 PandaBoard Converter to connect an ARM Preprocessor (16-bit PTM) or a CombiProbe (4-bit STM) to the OMAP4430 PandaBoard
LA-7988 PP-ARM-ETM-HSSTP	Preproc. for ARM-ETM/HSSTP HF-Flex Preprocessor for ARM-ETM with HSSTP Connector cable and software up to 4 lanes, up to 6.5 Gbit/s per lane Support ETMv1.x, ETMv3.x, all versions of CoreSight-ETM and Marvell's SETM Requires PowerTrace II
LA-3833 CONV-SAM40-SAM40	Conv. JTAG20, Samtec40 HSSTP to Samtec40 HSST Converter from JTAG 20 (ARM pinout) and Samtec 40 pin to Samtec 40 pin for LA-7988 Preproc. ARM HSSTP HF-Flex

Detailed Order Information

Order No.	Code	Text
LA-7992	PP-ARM-ETM-AF-2	Preproc. for ARM-ETM/AUTOFOCUS II 600 Flex
LA-7992A	PP-ARM-ETM-AF-2-ADD	Trace License for ARM-ETM AUTOFOCUS II
LA-7993	PP-ARM-ETM-AF-MIPI	Preproc. for ARM-ETM/AUTOFOCUS 600 MIPI
LA-7921	PP-ARM-ETM/200	Preprocessor for ARM-ETM 200 flex cable
LA-7991	PP-ARM-ETM-AF	Preprocessor for ARM-ETM with AUTOFOCUS Flex
LA-7925	DUAL-2SINGLE-ETM-H	Converter Dual-ETM to 2 single ETMs Horizon.
LA-7926	DUAL-2SINGLE-ETM-V	Converter Dual-ETM to 2 single ETMs Vertical

Order No.	Code	Text
LA-7922	CONVERTER-VOLT-ETM	Converter 5V to 3.3V for ARM-ETM
LA-3818	CONV-MIC+JTAG-MIPI60	ARM Converter 2x Mictor-38, ARM-20 to MIPI-60
LA-3842	CONV-ARM-MIC/MIPI34	Converter Mictor-38/ARM20 to MIPI-34
LA-3809	CONV-ARM-MIC/MIPI20	Converter Mictor-38/ARM20 to MIPI-20
LA-3816	CON-2XMICTOR-MIPI60	Converter 2x Mictor-38 to MIPI-60
LA-3817	CON-MIPI60-MICTOR38	Converter MIPI-60 to Mictor-38 (ETMv3 Pinout)
LA-3880	CONV-ARM+MIPI-2XMIC	Conv. ARM-20 MIPI-60-34 to 2x Mictor-38
LA-3808	CONV-L8540-MIPI	L8540 Conv. 2xMic, 2xMIPI34, ARM20 to MIPI60
LA-3840	CONV-OMAP4430-PANDAB	Trace Converter for OMAP4430 PandaBoard
LA-7988	PP-ARM-ETM-HSSTP	Preproc. for ARM-ETM/HSSTP HF-Flex
LA-3833	CONV-SAM40-SAM40	Conv. JTAG20, Samtec40 HSSTP to Samtec40 HSST
Additional Options		
LA-3768	CON-ETM1-MIPI34SAM60	ETMv1 Conv. Mictor-38, 2x MIPI-34 to MIPI-60
LA-3814	CON-ETM3-MIPI34+60	ETMv3 Conv. Mictor-38, MIPI-34 to MIPI-60
LA-3769	CON-ETM3-MIPI34SAM60	ETMv3 Conv. Mictor-38, 2x MIPI-34 to MIPI-60
LA-3813	CONV-OMAP35XX-MIPI	OMAP3 Conv. Mictor-38, MIPI-34 to Mictor-38
LA-3812	CONV-OMAP4XXX-MIPI60	OMAP4 Conv. 2xMictor, ARM20, MIPI34 to MIPI60
LA-3810	CONV-U8500-MIPI	U8500 Conv. 2x Mictor38, 3x MIPI34 to MIPI60
LA-1232	FLEXEXT-ERM-ERF-40	Flex Ext. for SAMTEC 40 pin ERM-ERF series
LA-1228	FLEXEXT-SAM-QTH-QSHB	Flex Ext. for SAMTEC 60 pin QTH-QSH series
LA-1370	MICTOR-FLEXEXT	Mictor Flex Extension
LA-7995A	PP-C55X-AF-2-ADD	Trace License for TMS320C55x AUTOFOCUS II
LA-3903A	PP-C64XP-AF-2-ADD	Trace License for TMS320C64x+ in AUTOFOCUS II

Order No.	Code	Text
LA-7996A	PP-CEVA-AF-2-ADD	Trace License for Ceva-X AUTOFOCUS II
LA-3901A	PP-MICROBLA-AF-2-ADD	Trace License for MicroBlaze AUTOFOCUS II
LA-3902A	PP-SHX-AF-2-ADD	Trace License for SH2A, SH4, SH4A in AF II
LA-7999A	PP-STARCORE-AF-2-ADD	Trace License for StarCore AUTOFOCUS II
LA-3904A	PP-TEAKLITE3-AF-2-AD	Trace License for TEAKLITE-III AUTOFOCUS II

Contact

International Representative

Argentina

Anacom Eletronica Ltda.
Mr. Rafael Sorice
Rua Nazareth, 807, Barcelona
BR-09551-200 São Caetano do Sul, SP
Phone: +55 11 3422 4200
FAX: +55 11 3422 4242
EMAIL: rsorice@anacom.com.br

Australia

Embedded Logic Solutions P/L
Mr. Ramzi Kaffan
Suite 2, Level 3
144 Marsden Street
Parramatta NSW 2150
Phone: +61 2 9687 1880
FAX: +61 2 9687 1881
EMAIL: sales@emlogic.com.au

Austria

Lauterbach GmbH
Alltaufstr. 40
D-85635 Höhenkirchen-Siegertsbrunn
Phone: +49 8102 9876 0
FAX: +49 8102 9876 999
EMAIL: info@lauterbach.com

Belgium

Tritec Benelux B.V.
Mr. Robbert de Voogt
Stationspark 550
NL-3364 DA Sliedrecht
Phone: +31 184 41 41 31
FAX: +31 184 42 36 11
EMAIL: software@tritec.nl

Brazil

Anacom Eletronica Ltda.
Mr. Rafael Sorice
Rua Nazareth, 807, Barcelona
BR-09551-200 São Caetano do Sul, SP
Phone: +55 11 3422 4200
FAX: +55 11 3422 4242
EMAIL: rsorice@anacom.com.br

Canada

Lauterbach Inc.
Mr. Udo Zoettler
4 Mount Royal Ave.
USA-Marlborough, MA 01752
Phone: +1 508 303 6812
FAX: +1 508 303 6813
EMAIL: info_us@lauterbach.com

China Beijing

Lauterbach Technologies Co., Ltd
Mr. Linglin He
Beijing Office
A3, South Lishi Road, XiCheng District
Beijing 100037, P.R. China
Phone: +86 10 68023502
FAX: +86 10 68023523
EMAIL: linglin.he@lauterbach.com

China Shenzhen

Lauterbach Technologies Co., Ltd
1406/E Xihaimingzhu Building
No.1 Taoyuan Road, Nanshan District
Shenzhen 518052, P.R. China
Phone: +86 755 8621 0671
FAX: +86 755 8621 0675
EMAIL: emily.zhang@lauterbach.com

China Suzhou

Lauterbach Technologies Co., Ltd
Mr. Tom Meyer
Hengyu Square, Rm 709
No. 188, Xing Hai Street
Suzhou, 215021 P.R. of China
Phone: +86 512 6265 8030
FAX: +86 512 6265 8032
EMAIL: info_cn@lauterbach.com

Denmark

Nohau Danmark A/S
Mr. Flemming Jensen
Klausdalsbrøvej 493
DK-2730 Herlev
Phone: +45 44 52 16 50
FAX: +45 44 52 26 55
EMAIL: info@nohau.dk

Egypt

Wantech Egypt
Mr. Wagih A. Nawara
5 Shafik Ghalie St., Suite 2
Off Pyramids Road, Giza
Cairo 12111
Phone: +20 100 1251955
FAX: +20 100 1250349
EMAIL: sales@wantech.net.com

Finland

Nohau Solutions Finland
Mr. Leevi Lehtinen
Teknobulevardi 3-5
FI-01531 Vantaa
Phone: +358 40 546 1469
FAX: +358 9 2517 8101
EMAIL: sales@nohau.fi

France

Lauterbach S.A.R.L.
Mr. Jean-Pierre Paradiso
Europarc - Le Hameau B
135 Chemin Des Bassins
F-94035 Créteil Cedex
Phone: +33 1 49 56 20 30
FAX: +33 1 49 56 20 39
EMAIL: info_fr@lauterbach.com

Germany

Lauterbach GmbH
Alltaufstr. 40
D-85635 Höhenkirchen-Siegertsbrunn
Phone: +49 8102 9876 0
FAX: +49 8102 9876 999
EMAIL: info@lauterbach.com

Germany North

Lauterbach GmbH
Mr. Klaus Hommann
Leonhardring 5
D-31319 Sehnde
Phone: +49 5138 6185 0
FAX: +49 5138 6185 3
EMAIL: klaus.hommann@lauterbach.com

Germany South

Lauterbach GmbH
Alltaufstr. 40
D-85635 Höhenkirchen-Siegertsbrunn
Phone: +49 8102 9876 0
FAX: +49 8102 9876 187
EMAIL: sales@lauterbach.com

Greek

Lauterbach GmbH
Alltaufstr. 40
D-85635 Höhenkirchen-Siegertsbrunn
Phone: +49 8102 9876 0
FAX: +49 8102 9876 999
EMAIL: info@lauterbach.com

India-Bangalore

Electro Systems Associates Pvt. Ltd.
Mr. G. V. Gurunatham
S-606, World Trade Center
Malleswaram West, No.26/1, Dr. Rajkumar
Road
India - Bangalore 560055
Phone: +91 80 67648888
FAX: +91 80 23475615
EMAIL: Trace32sales@esaindia.com

India-Chennai

Electro Systems Associates Pvt. Ltd.
Mr. D. Kannan
No.109 /59A - Ground Floor
IV Avenue, Ashok Nagar
India - Chennai - 600 083 Tamilnadu
Phone: +91 044-24715750
FAX: +91 44 24715750
EMAIL: chennai@esaindia.com

India-Delhi

Electro Systems Associates Pvt. Ltd.
Mr. R.K. Bhandari
No. 705, 7th Floor, Laxmi Deep
Shivajinagar
India - Delhi - 110 092
Phone: +91 11-22549351
FAX:
EMAIL: delhi@esaindia.com

India-Hyderabad

Electro Systems Associates Pvt. Ltd.
Mr. C.V.M. Sri Ram Murthy
Shop No. 14, "Global Enclave"
Bhagyanagar Colony, Kukat pally
India - Hyderabad 500 072
Phone: +91 40-23063346
FAX: +91 40-23063346
EMAIL: hyderabad@esaindia.com

India-Pune

Electro Systems Associates Pvt. Ltd.
Mr. R K Bhandari
Shriram Complex, 1126/1, Model Colony
Shivajinagar
India - Pune - 411 016
Phone: +91 20 - 30462035 / 25663
FAX: +91 20-25677202
EMAIL: pune@esaindia.com

Ireland

Lauterbach Ltd.
Mr. Barry Lock
11 Basepoint Enterprise Centre
Stroudley Road
Basingstoke, Hants RG24 8UP
Phone: +44-1256-333-690
FAX: +44-1256-336-661
EMAIL: info_uk@lauterbach.com

Israel

Itec Ltd.
Mr. Mauri Gottlieb
P.O.Box 10002
IL-Tel Aviv 61100
Phone: +972 3 6491202
FAX: +972 3 6497661
EMAIL: general@itec.co.il

Italy

Lauterbach Srl
Mr. Maurizio Menegotto
Via Enzo Ferrieri 12
I-20153 Milano
Phone: +39 02 45490282
FAX: +39 02 45490428
EMAIL: info_it@lauterbach.com

Japan

Lauterbach Japan, Ltd.
Mr. Kenji Furukawa
3-8-8 Shinyokohama
Kouhoku-ku
Yokohama-shi, Japan 222-0033
Phone: +81 45 477 4511
FAX: +81 45 477 4519
EMAIL: info@lauterbach.co.jp

Luxemburg

Tritec Benelux B.V.
Mr. Robbert de Voogt
Stationspark 550
NL-3364 DA Sliedrecht
Phone: +31 184 41 41 31
FAX: +31 184 42 36 11
EMAIL: software@tritec.nl

Malaysia

Flash Technology
Mr. Teo Kian Hock
No 61, # 04-15 Kaki Bukit Av 1
Shun Li Industrial Park
SGP-Singapore 417943
Phone: +65 6749 6168
FAX: +65 6749 6138
EMAIL: teokh@flashtech.com.sg

Mexico

Lauterbach Inc.
Mr. Udo Zoettler
4 Mount Royal Ave.
USA-Marlborough, MA 01752
Phone: +1 508 303 6812
FAX: +1 508 303 6813
EMAIL: info_us@lauterbach.com

Netherlands

Tritec Benelux B.V.
Mr. Robbert de Voogt
Stationspark 550
NL-3364 DA Sliedrecht
Phone: +31 184 41 41 31
FAX: +31 184 42 36 11
EMAIL: software@tritec.nl

New Zealand

Embedded Logic Solutions P/L
Mr. Ramzi Kattan
Suite 2, Level 3
144 Marsden Street
Parramatta NSW 2150
Phone: +61 2 9687 1880
FAX: +61 2 9687 1881
EMAIL: sales@emlogic.com.au

Norway

Nohau Solutions AB
Mr. Jörgen Nilsson
Derbyvägen 4
SE-21235 Malmö
Phone: +46 40 592 206
FAX: +46-40 592 229
EMAIL: sales@nohau.se

Poland

QUANTUM Sp. z o.o.
Mr. Czeslaw Bil
ul. Wystawowa 1
51-618 Wrocław
Phone: +48 71 362 6356
FAX: +48 71 362 6357
EMAIL: info@quantum.com.pl

Portugal

Captura Electronica, SCCL
Mr. Juan Martinez
c/Duero, 40
E-08031 Barcelona
Phone: +34 93 429 5730
FAX: +34 93 407 0778
EMAIL: info@captura-el.com

Romania

Lauterbach GmbH
Altlaufstr. 40
D-85635 Höhenkirchen-Siegertsbrunn
Phone: +49 8102 9876 0
FAX: +49 8102 9876 999
EMAIL: info@lauterbach.com

Russia

RTSoft
Mr. Alexey Isaev
Nikitinskaya 3
RUS-105037 Moscow
Phone: +7 495 742 6828
FAX: +7 495 742 6829
EMAIL: sales@rtsoft.msk.ru

Singapore

Flash Technology
Mr. Teo Kian Hock
No 61, # 04-15 Kaki Bukit Av 1
Shun Li Industrial Park
SGP-Singapore 417943
Phone: +65 6749 6168
FAX: +65 6749 6138
EMAIL: teokh@flashtech.com.sg

South Korea, Pangyo

MDS Technology Co.,Ltd.
Mr. Sangheon Lee
3FL, Hancom Tower
49, Daewangpangyo-ro 644, Bundang-gu
Seongnam-si, Gyeonggi-do, 463-400, ROK
Phone: +82-31-627-3000
FAX: +82-31-627-3100
EMAIL: trace32@mdstec.com

Spain

Captura Electronica, SCCL
Mr. Juan Martinez
c/Duero, 40
E-08031 Barcelona
Phone: +34 93 429 5730
FAX: +34 93 407 0778
EMAIL: info@captura-el.com

Sweden

Nohau Solutions AB
Mr. Jörgen Nilsson
Derbyvägen 4
SE-21235 Malmö
Phone: +46 40 592 206
FAX: +46 40 592 229
EMAIL: sales@nohau.se

Switzerland

JDT Jberg DatenTechnik
Mr. Andreas Jberg
Zimmereistrasse 2
CH-5734 Reinach AG
Phone: +41 62 7710 886
FAX:
EMAIL: Andreas.Jberg@jdt.ch

Taiwan

Superlink Technology Corp.
Mr. Sulin Huang
3F-8, No.77, Shin-Tai-Wu Rd. Sec1
Taipei Hsien 221, Taiwan, R.O.C.
Phone: +886 2 26983456
FAX: +886 2 26983535
EMAIL: info.stc@superlink.com.tw

Tunesia

Lauterbach Consulting S.A.R.L.
Mr. Khaled Jmal
Phone:
FAX:
EMAIL: info_tn@lauterbach.com

Turkey-1

Tektronik Muh. ve Tic. Ltd.
Mr. Hakan Yavuz
Mahatma Gandhi Cad 68A/2
G.O.Pasa
06700 Ankara
Phone: +90 312 437 3000
FAX: +90 312 437 1616
EMAIL: info@tektronik.com.tr

Turkey-2

G3TEK Embedded Technologies Ltd.
Mr. Celal Aygun
Ilkyerlesim Mah. 445.
Sok. No: 48
06370 Battikent/Ankara
Phone: +90 312 3324769
FAX: +90 312 3324769
EMAIL: info@g3tek.com

UK

Lauterbach Ltd.
Mr. Barry Lock
11 Basepoint Enterprise Centre
Stroudley Rd
Basingstoke, Hants RG24 8UP
Phone: +44 1256 333 690
FAX: +44 1256 336 661
EMAIL: info_uk@lauterbach.com

USA East

Lauterbach Inc.
Mr. Udo Zoettler
4 Mount Royal Ave.
USA-Marlborough, MA 01752
Phone: +1 508 303 6812
FAX: +1 508 303 6813
EMAIL: info_us@lauterbach.com

USA West

Lauterbach Inc.
Mr. Jerry Flake
1111 Main Street, Suite 610
USA-Vancouver, WA, 98660
Phone: +1 503 524 2222
FAX: +1 503 524 2223
EMAIL: jerry.flake@lauterbach.com

Additional Information

<http://www.lauterbach.com>

Lauterbach GmbH

Altlaufstr. 40
D-85649 Hofolding
Tel. ++49 8102 9876-0 FAX -999
info@lauterbach.com
http://www.lauterbach.de

Lauterbach Inc.

4 Mount Royal Ave.
Marlboro MA 01752
Phone (508) 303 6812 FAX (508) 303 6813
info_us@lauterbach.com
http://www.us.lauterbach.com

Lauterbach Ltd.

11 Basepoint Enterprise Ctre Stroudley Road
Basingstoke, Hants RG24 8UP
Phone ++44-1256-333-690 FAX -661
info_uk@lauterbach.com
http://www.lauterbach.co.uk

Lauterbach S.A.R.L.

135 Chemin Des Bassins
F-94035 Créteil Cedex
Phone ++33-149-562-030
FAX ++33-149-562-039
info_fr@lauterbach.com
http://www.lauterbach.fr

Lauterbach Japan, Ltd.

3-9-5 Shinyokohama Kouhoku-ku
Yokohama-shi Japan 222-0033
Phone ++81-45-477-4511 FAX -4519
info_j@lauterbach.com
http://www.lauterbach.co.jp

Lauterbach s.r.l.

Lauterbach s.r.l.
Via Enzo Ferrieri 12
I-20153 Milano
Phone ++39 02 45490282
FAX ++39 02 45490428
info_it@lauterbach.it
http://www.lauterbach.it

Suzhou Lauterbach Consulting Co.,Ltd.

Room 1605, Xing Hai International Square
No.200, Xing Hai Street
Suzhou, 215021 PR of China
Phone: 0086-512 6265 8030
FAX: 0086-512 6265 8032
info_cn@lauterbach.cn
http://www.lauterbach.cn

Disclaimer

The information presented is intended to give overview information only. Changes and technical enhancements or modifications can be made without notice.