

In-Circuit Emulator for XA51

8051XAG1
8051XAG2
8051XAG3

- Full Bondout Support
- Full Mixed Memory Support (ROM and external memory simultaneously)
- Dual-Ported Memory
- Realtime Trace on ROM and External Memory
- High-Speed Trigger Capability for ROM and External Memory
- Works with Tasking, Metrowerks and HI-Tech Compiler
- Windows95, NT and X Windows Interface
- Software compatible EPROM-Simulator
- CMX Support

TRACE32-ICEXA supports most members of the XA family from Philips. The modular and open technology of the system allows the fast integration of new chip designs.

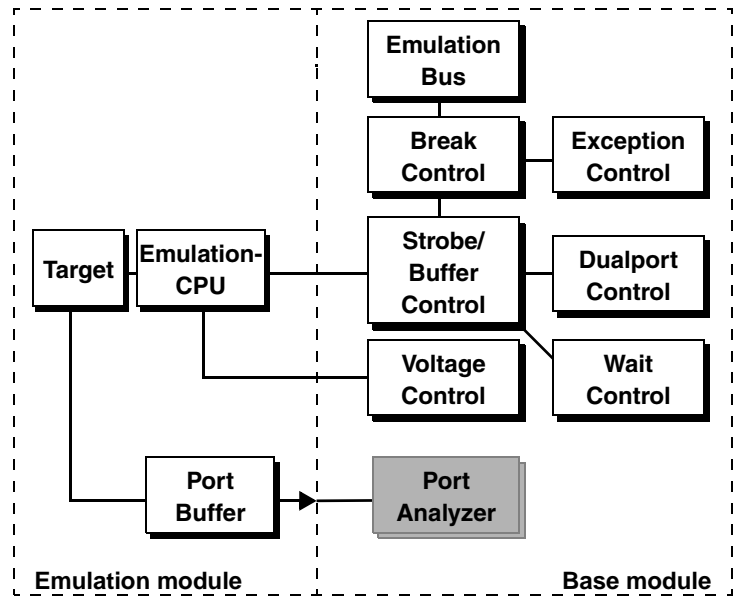
TRACE32-ICE is a state of the art In-Circuit Emulator, which offers unlimited hardware breakpoints and up to 16MByte dual-ported emulation memory. The real-time trace and trigger work up to the max. speed of the CPU. The analyzer offers selective trace as well as performance analysis and statistic functions.

The system offers an interface to all C compilers.

TRACE32 works with the highest variety of host interfaces. The communication link to the host is done by the printer port, a fibre optic interface or ethernet allowing a high speed transfer.

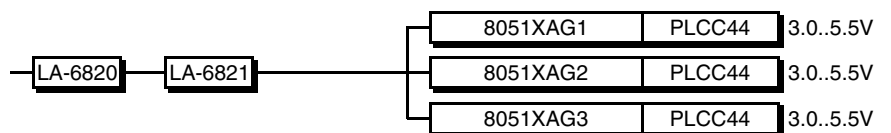
Features

Basics of Operation



Emulation Modules

Modules Overview



Debug Interfaces

TRACE32-PowerView supports most compilers, realtime operation systems and debuggers.

New integrations are mostly done on customers request. If your compiler or RTOS is not supported now, please ask us !

Compiler Support

Language	Compiler	Company	Option	Comment
C	HICROSS-XA	Freescale Semiconductor, Inc.	HICROSS	
C	HTC-XA	Microchip Technology Inc.	HITECH	
C	CXA	TASKING	IEEE	

Kernel Support

No operation systems supported.

Debugger Support

CPU	Debugger	Company	Host
ALL	X-TOOLS / X32	blue river software GmbH	Windows
ALL	CODEWRIGHT	Borland Software Corporation	Windows
ALL	CODE CONFIDENCE TOOLS	Code Confidence Ltd	Windows
ALL	CODE CONFIDENCE TOOLS	Code Confidence Ltd	Linux
ALL	EASYCODE	EASYCODE GmbH	Windows
ALL	ECLIPSE	Eclipse Foundation, Inc	Windows
ALL	RHAPSODY IN MICROC	IBM Corp.	Windows
ALL	RHAPSODY IN C++	IBM Corp.	Windows
ALL	LDRA TOOL SUITE	LDRA Technology, Inc.	Windows
ALL	ATTOL TOOLS	MicroMax Inc.	Windows
ALL	VISUAL BASIC INTERFACE	Microsoft Corporation	Windows
ALL	LABVIEW	NATIONAL INSTRUMENTS Corporation	Windows
ALL	CODE::BLOCKS	Open Source	-
ALL	C++TEST	Parasoft	Windows
ALL	RAPITIME	Rapita Systems Ltd.	Windows
ALL	DA-C	RistanCASE	Windows
ALL	SIMULINK	The MathWorks Inc.	Windows
ALL	WINDOWS CE PLATF. BUILDER	Windows	Windows

Operation Voltage and Frequency

The maximum operation frequency of TRACE32-ICE depends on:

- The max. frequency of the CPU
- The access time of the overlay memory (15ns or 35ns)
- The mapper mode (**Slow** or **Fast**)
- The number of waitstates (W0 = 0 waitstates
W1 = 1 waitstate)
- The dual-port access mode

Denied/Gap Access

tbd

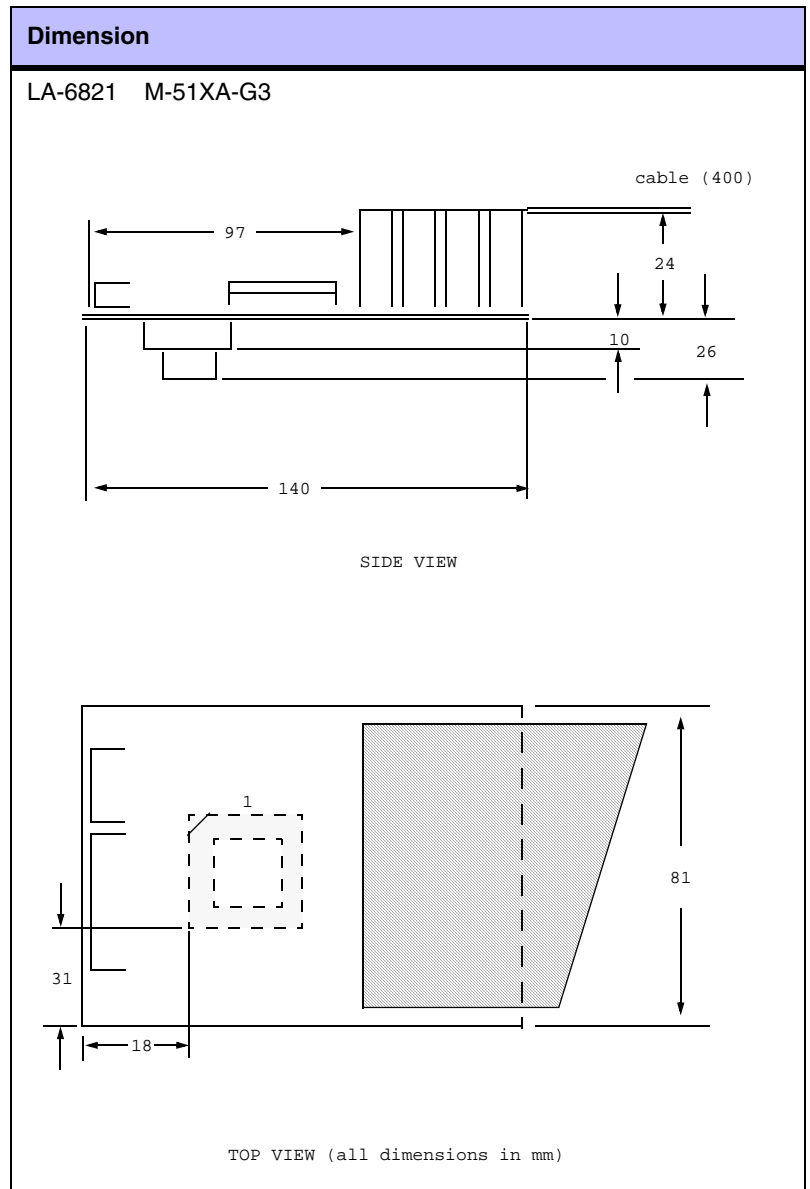
Operation Voltage

This list contains information on probes available for other voltage ranges.

Probes not noted here supply an operation voltage range from 4.5V to 5.5V. tbd

Dimensions

Module Dimensions



Connectors

On each emulation module there are half-size connectors to:

- ❑ Connect the emulation module directly to the target by providing the corresponding connectors also on the target hardware

- ❑ Connect a standard adapter from Emulation Technology, YAMAICHI, AMP, TOKYO ELETECH etc.

The following table lists the physical dimensions of these connectors.

No adaptations available !

Adapter

The adapters connect in different ways

- With Clip-Over Adapters the CPU can stay on the target board.
- With Solder-ON adapters the CPU must be removed

- YAMAICHI and AMP adapters fit to the CPU socket

The following table lists the physical dimensions of these adapters.

Not necessary.

Available Tool Chain

TRACE32 provides a complete set of development tools for this family. This includes:

- The In-Circuit Emulator TRACE32-ICE
- The high speed RISC Emulator TRACE32-FIRE
- The BDM/JTAG/ONCE etc. based In-Circuit Debugger TRACE32-ICD
- The ROM Monitor based In-Circuit Debugger TRACE32-ICD
- The ICD Trace, a trace extension to the BDM/JTAG debuggers or ROM monitors
- Evaluation boards, which can be used until the target hardware is available.
- The Instruction Set Simulator (SIM), a software tool for code test without any hardware

The following list give an overview which development tools are available for the specific derivatives of this family.

CPU	ICE	FIRE	ICD DEBUG	ICD MONITOR	ICD TRACE	POWER INTEGRATOR	INSTRUCTION SIMULATOR
8051XAG1	YES			YES			
8051XAG2	YES			YES			
8051XAG3	YES			YES			

Order Information

Module Description

OrderNo Code	Text
LA-6820 ICE-51XA	ICE-51XA Base module for NXP 51XA family, slot for port analyzer
LA-6821 M-51XA-G3	Module 51XA-G3 Supports 51XA-G1, -G2, -G3, -G37, G49 Adaption to PLCC44

Detailed Order Information

Order No.	Code	Text
LA-6820	ICE-51XA	ICE-51XA Base
LA-6821	M-51XA-G3	Module 51XA-G3
Additional Options		
LA-7524	MON-8051XA	ROM Monitor for 8051XA on ESI
LA-6450	PA64	Port Analyzer
LA-1921	PLCC-BLOCK-44	PLCC Block 44 Pins
LA-1925	PLCC-TEST- ADAPTER-44	PLCC Test Adapter 44 Pins

Contact

International Representative

Argentina

Anacom Eletronica Ltda.
Mr. Rafael Sorice
Rua Nazareth, 807, Barcelona
BR-09551-200 São Caetano do Sul, SP
Phone: +55 11 3422 4200
FAX: +55 11 3422 4242
EMAIL: rsorice@anacom.com.br

Australia

Embedded Logic Solutions P/L
Mr. Ramzi Kaffan
Suite 2, Level 3
144 Marsden Street
Parramatta NSW 2150
Phone: +61 2 9687 1880
FAX: +61 2 9687 1881
EMAIL: sales@emlogic.com.au

Austria

Lauterbach GmbH
Alltaufstr. 40
D-85635 Höhenkirchen-Siegertsbrunn
Phone: +49 8102 9876 0
FAX: +49 8102 9876 999
EMAIL: info@lauterbach.com

Belgium

Tritec Benelux B.V.
Mr. Robbert de Voogt
Stationspark 550
NL-3364 DA Sliedrecht
Phone: +31 184 41 41 31
FAX: +31 184 42 36 11
EMAIL: software@tritec.nl

Brazil

Anacom Eletronica Ltda.
Mr. Rafael Sorice
Rua Nazareth, 807, Barcelona
BR-09551-200 São Caetano do Sul, SP
Phone: +55 11 3422 4200
FAX: +55 11 3422 4242
EMAIL: rsorice@anacom.com.br

Canada

Lauterbach Inc.
Mr. Udo Zoettler
4 Mount Royal Ave.
USA-Marlborough, MA 01752
Phone: +1 508 303 6812
FAX: +1 508 303 6813
EMAIL: info_us@lauterbach.com

China Beijing

Lauterbach Technologies Co., Ltd
Mr. Linglin He
Beijing Office
A3, South Lishi Road, XiCheng District
Beijing 100037, P.R. China
Phone: +86 10 68023502
FAX: +86 10 68023523
EMAIL: linglin.he@lauterbach.com

China Shenzhen

Lauterbach Technologies Co., Ltd
1406/E Xihaimingzhu Building
No.1 Taoyuan Road, Nanshan District
Shenzhen 518052, P.R. China
Phone: +86 755 8621 0671
FAX: +86 755 8621 0675
EMAIL: emily.zhang@lauterbach.com

China Suzhou

Lauterbach Technologies Co., Ltd
Mr. Tom Meyer
Hengyu Square, Rm 709
No. 188, Xing Hai Street
Suzhou, 215021 P.R. of China
Phone: +86 512 6265 8030
FAX: +86 512 6265 8032
EMAIL: info_cn@lauterbach.com

Denmark

Nohau Danmark A/S
Mr. Flemming Jensen
Klausdalsbrovej 493
DK-2730 Herlev
Phone: +45 44 52 16 50
FAX: +45 44 52 26 55
EMAIL: info@nohau.dk

Egypt

Wantech Egypt
Mr. Wagih A. Nawara
5 Shafik Ghalie St., Suite 2
Off Pyramids Road, Giza
Cairo 12111
Phone: +20 100 1251955
FAX: +20 100 1250349
EMAIL: sales@wantech.net.com

Finland

Nohau Solutions Finland
Mr. Leevi Lehtinen
Teknobulevardi 3-5
FI-01531 Vantaa
Phone: +358 40 546 1469
FAX: +358 9 2517 8101
EMAIL: sales@nohau.fi

France

Lauterbach S.A.R.L.
Mr. Jean-Pierre Paradiso
Europarc - Le Hameau B
135 Chemin Des Bassins
F-94035 Créteil Cedex
Phone: +33 1 49 56 20 30
FAX: +33 1 49 56 20 39
EMAIL: info_fr@lauterbach.com

Germany

Lauterbach GmbH
Alltaufstr. 40
D-85635 Höhenkirchen-Siegertsbrunn
Phone: +49 8102 9876 0
FAX: +49 8102 9876 999
EMAIL: info@lauterbach.com

Germany North

Lauterbach GmbH
Mr. Klaus Hommann
Leonhardring 5
D-31319 Sehnde
Phone: +49 5138 6185 0
FAX: +49 5138 6185 3
EMAIL: klaus.hommann@lauterbach.com

Germany South

Lauterbach GmbH
Alltaufstr. 40
D-85635 Höhenkirchen-Siegertsbrunn
Phone: +49 8102 9876 0
FAX: +49 8102 9876 187
EMAIL: sales@lauterbach.com

Greek

Lauterbach GmbH
Alltaufstr. 40
D-85635 Höhenkirchen-Siegertsbrunn
Phone: +49 8102 9876 0
FAX: +49 8102 9876 999
EMAIL: info@lauterbach.com

India-Bangalore

Electro Systems Associates Pvt. Ltd.
Mr. G. V. Gurunatham
S-606, World Trade Center
Malleswaram West, No.26/1, Dr. Rajkumar
Road
India - Bangalore 560055
Phone: +91 80 67648888
FAX: +91 80 23475615
EMAIL: Trace32sales@esaindia.com

India-Chennai

Electro Systems Associates Pvt. Ltd.
Mr. D. Kannan
No.109 /59A - Ground Floor
IV Avenue, Ashok Nagar
India - Chennai - 600 083 Tamilnadu
Phone: +91 044-24715750
FAX: +91 44 24715750
EMAIL: chennai@esaindia.com

India-Delhi

Electro Systems Associates Pvt. Ltd.
Mr. R.K. Bhandari
No. 705, 7th Floor, Laxmi Deep
Shivajinagar
India - Delhi - 110 092
Phone: +91 11-22549351
FAX:
EMAIL: delhi@esaindia.com

India-Hyderabad

Electro Systems Associates Pvt. Ltd.
Mr. C.V.M. Sri Ram Murthy
Shop No. 14, "Global Enclave"
Bhagyanagar Colony, Kukat pally
India - Hyderabad 500 072
Phone: +91 40-23063346
FAX: +91 40-23063346
EMAIL: hyderabad@esaindia.com

India-Pune

Electro Systems Associates Pvt. Ltd.
Mr. R K Bhandari
Shriram Complex, 1126/1, Model Colony
Shivajinagar
India - Pune - 411 016
Phone: +91 20 - 30462035 / 25663
FAX: +91 20-25677202
EMAIL: pune@esaindia.com

Ireland

Lauterbach Ltd.
Mr. Barry Lock
11 Basepoint Enterprise Centre
Stroudley Road
Basingstoke, Hants RG24 8UP
Phone: +44-1256-333-690
FAX: +44-1256-336-661
EMAIL: info_uk@lauterbach.com

Israel

Itec Ltd.
Mr. Mauri Gottlieb
P.O.Box 10002
IL-Tel Aviv 61100
Phone: +972 3 6491202
FAX: +972 3 6497661
EMAIL: general@itec.co.il

Italy

Lauterbach Srl
Mr. Maurizio Menegotto
Via Enzo Ferrieri 12
I-20153 Milano
Phone: +39 02 45490282
FAX: +39 02 45490428
EMAIL: info_it@lauterbach.com

Japan

Lauterbach Japan, Ltd.
Mr. Kenji Furukawa
3-8-8 Shinyokohama
Kouhoku-ku
Yokohama-shi, Japan 222-0033
Phone: +81 45 477 4511
FAX: +81 45 477 4519
EMAIL: info@lauterbach.co.jp

Luxemburg

Tritec Benelux B.V.
Mr. Robbert de Voogt
Stationspark 550
NL-3364 DA Sliedrecht
Phone: +31 184 41 41 31
FAX: +31 184 42 36 11
EMAIL: software@tritec.nl

Malaysia

Flash Technology
Mr. Teo Kian Hock
No 61, # 04-15 Kaki Bukit Av 1
Shun Li Industrial Park
SGP-Singapore 417943
Phone: +65 6749 6168
FAX: +65 6749 6138
EMAIL: teokh@flashtech.com.sg

Mexico

Lauterbach Inc.
Mr. Udo Zoettler
4 Mount Royal Ave.
USA-Marlborough, MA 01752
Phone: +1 508 303 6812
FAX: +1 508 303 6813
EMAIL: info_us@lauterbach.com

Netherlands

Tritec Benelux B.V.
Mr. Robbert de Voogt
Stationspark 550
NL-3364 DA Sliedrecht
Phone: +31 184 41 41 31
FAX: +31 184 42 36 11
EMAIL: software@tritec.nl

New Zealand

Embedded Logic Solutions P/L
Mr. Ramzi Kattan
Suite 2, Level 3
144 Marsden Street
Parramatta NSW 2150
Phone: +61 2 9687 1880
FAX: +61 2 9687 1881
EMAIL: sales@emlogic.com.au

Norway

Nohau Solutions AB
Mr. Jörgen Nilsson
Derbyvägen 4
SE-21235 Malmö
Phone: +46 40 592 206
FAX: +46-40 592 229
EMAIL: sales@nohau.se

Poland

QUANTUM Sp. z o.o.
Mr. Czeslaw Bil
ul. Wystawowa 1
51-618 Wrocław
Phone: +48 71 362 6356
FAX: +48 71 362 6357
EMAIL: info@quantum.com.pl

Portugal

Captura Electronica, SCCL
Mr. Juan Martinez
c/Duero, 40
E-08031 Barcelona
Phone: +34 93 429 5730
FAX: +34 93 407 0778
EMAIL: info@captura-el.com

Romania

Lauterbach GmbH
Altlaufstr. 40
D-85635 Höhenkirchen-Siegertsbrunn
Phone: +49 8102 9876 0
FAX: +49 8102 9876 999
EMAIL: info@lauterbach.com

Russia

RTSoft
Mr. Alexey Isaev
Nikitinskaya 3
RUS-105037 Moscow
Phone: +7 495 742 6828
FAX: +7 495 742 6829
EMAIL: sales@rtsoft.msk.ru

Singapore

Flash Technology
Mr. Teo Kian Hock
No 61, # 04-15 Kaki Bukit Av 1
Shun Li Industrial Park
SGP-Singapore 417943
Phone: +65 6749 6168
FAX: +65 6749 6138
EMAIL: teokh@flashtech.com.sg

South Korea, Pangyo

MDS Technology Co.,Ltd.
Mr. Sangheon Lee
3FL, Hancom Tower
49, Daewangpangyo-ro 644, Bundang-gu
Seongnam-si, Gyeonggi-do, 463-400, ROK
Phone: +82-31-627-3000
FAX: +82-31-627-3100
EMAIL: trace32@mdstec.com

Spain

Captura Electronica, SCCL
Mr. Juan Martinez
c/Duero, 40
E-08031 Barcelona
Phone: +34 93 429 5730
FAX: +34 93 407 0778
EMAIL: info@captura-el.com

Sweden

Nohau Solutions AB
Mr. Jörgen Nilsson
Derbyvägen 4
SE-21235 Malmö
Phone: +46 40 592 206
FAX: +46 40 592 229
EMAIL: sales@nohau.se

Switzerland

JDT Jberg DatenTechnik
Mr. Andreas Jberg
Zimmereistrasse 2
CH-5734 Reinach AG
Phone: +41 62 7710 886
FAX:
EMAIL: Andreas.Jberg@jdt.ch

Taiwan

Superlink Technology Corp.
Mr. Sulin Huang
3F-8, No.77, Shin-Tai-Wu Rd. Sec1
Taipei Hsien 221, Taiwan, R.O.C.
Phone: +886 2 26983456
FAX: +886 2 26983535
EMAIL: info.stc@superlink.com.tw

Tunesia

Lauterbach Consulting S.A.R.L.
Mr. Khaled Jmal
Phone:
FAX:
EMAIL: info_tn@lauterbach.com

Turkey-1

Tektronik Muh. ve Tic. Ltd.
Mr. Hakan Yavuz
Mahatma Gandhi Cad 68A/2
G.O.Pasa
06700 Ankara
Phone: +90 312 437 3000
FAX: +90 312 437 1616
EMAIL: info@tektronik.com.tr

Turkey-2

G3TEK Embedded Technologies Ltd.
Mr. Celal Aygun
Ilkyerlesim Mah. 445.
Sok. No: 48
06370 Battikent/Ankara
Phone: +90 312 3324769
FAX: +90 312 3324769
EMAIL: info@g3tek.com

UK

Lauterbach Ltd.
Mr. Barry Lock
11 Basepoint Enterprise Centre
Stroudley Rd
Basingstoke, Hants RG24 8UP
Phone: +44 1256 333 690
FAX: +44 1256 336 661
EMAIL: info_uk@lauterbach.com

USA East

Lauterbach Inc.
Mr. Udo Zoettler
4 Mount Royal Ave.
USA-Marlborough, MA 01752
Phone: +1 508 303 6812
FAX: +1 508 303 6813
EMAIL: info_us@lauterbach.com

USA West

Lauterbach Inc.
Mr. Jerry Flake
1111 Main Street, Suite 610
USA-Vancouver, WA, 98660
Phone: +1 503 524 2222
FAX: +1 503 524 2223
EMAIL: jerry.flake@lauterbach.com

Additional Information

<http://www.lauterbach.com>

Lauterbach GmbH

Altlaufstr. 40
D-85649 Hofolding
Tel. ++49 8102 9876-0 FAX -999
info@lauterbach.com
http://www.lauterbach.de

Lauterbach Inc.

4 Mount Royal Ave.
Marlboro MA 01752
Phone (508) 303 6812 FAX (508) 303 6813
info_us@lauterbach.com
http://www.us.lauterbach.com

Lauterbach Ltd.

11 Basepoint Enterprise Ctre Stroudley Road
Basingstoke, Hants RG24 8UP
Phone ++44-1256-333-690 FAX -661
info_uk@lauterbach.com
http://www.lauterbach.co.uk

Lauterbach S.A.R.L.

135 Chemin Des Bassins
F-94035 Créteil Cedex
Phone ++33-149-562-030
FAX ++33-149-562-039
info_fr@lauterbach.com
http://www.lauterbach.fr

Lauterbach Japan, Ltd.

3-9-5 Shinyokohama Kouhoku-ku
Yokohama-shi Japan 222-0033
Phone ++81-45-477-4511 FAX -4519
info_j@lauterbach.com
http://www.lauterbach.co.jp

Lauterbach s.r.l.

Lauterbach s.r.l.
Via Enzo Ferrieri 12
I-20153 Milano
Phone ++39 02 45490282
FAX ++39 02 45490428
info_it@lauterbach.it
http://www.lauterbach.it

Suzhou Lauterbach Consulting Co.,Ltd.

Room 1605, Xing Hai International Square
No.200, Xing Hai Street
Suzhou, 215021 PR of China
Phone: 0086-512 6265 8030
FAX: 0086-512 6265 8032
info_cn@lauterbach.cn
http://www.lauterbach.cn

Disclaimer

The information presented is intended to give overview information only. Changes and technical enhancements or modifications can be made without notice.

